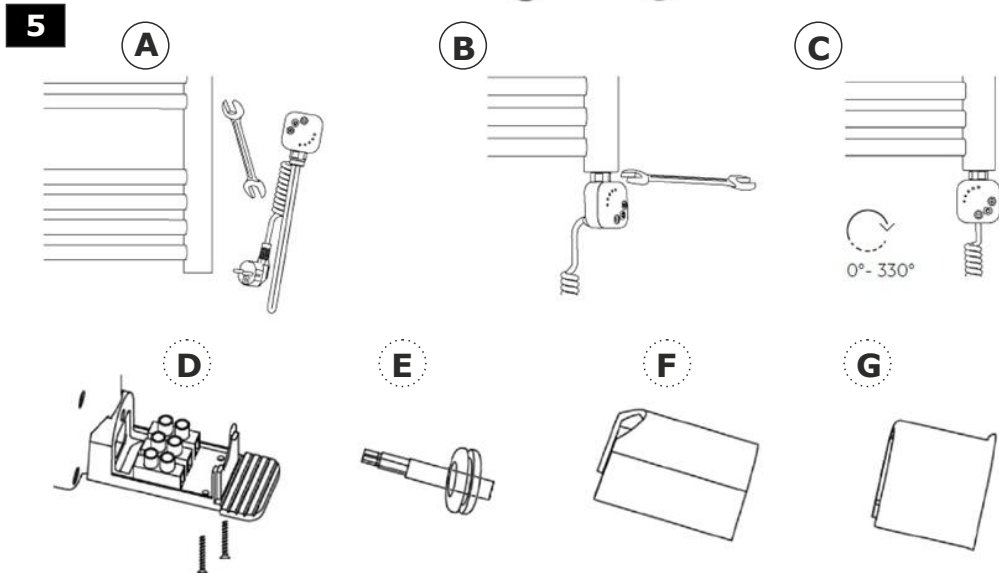
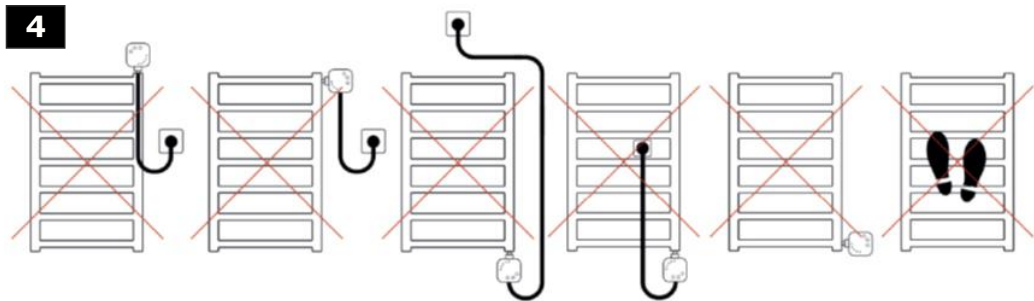
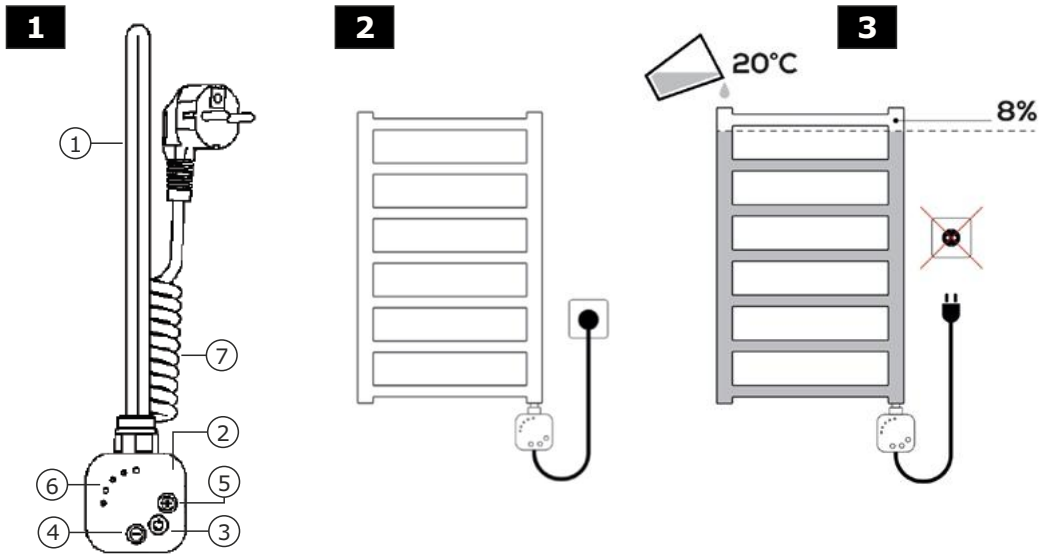


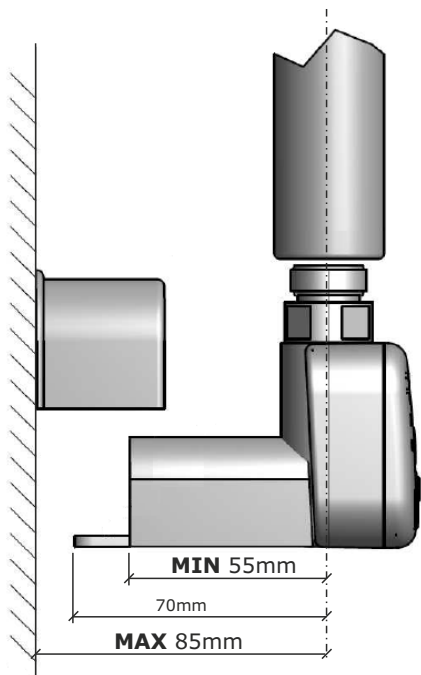


English	4
Latviešu	7
Lietuviškai	10
Русский	13

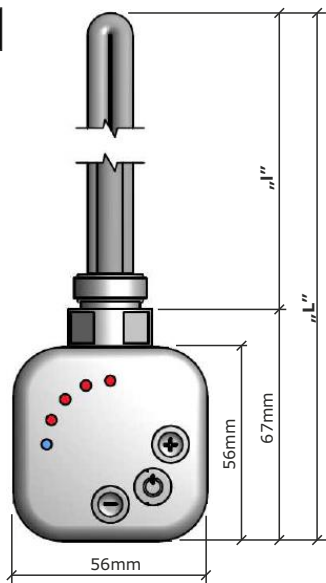




**6**

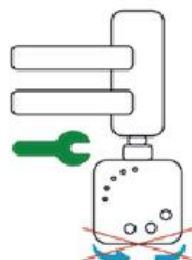
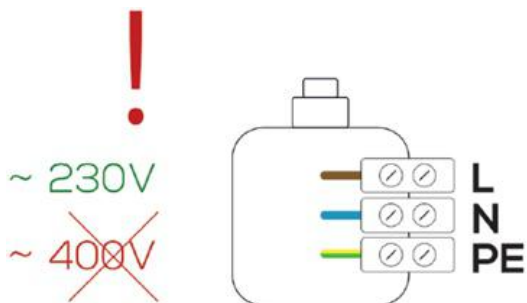


**7**

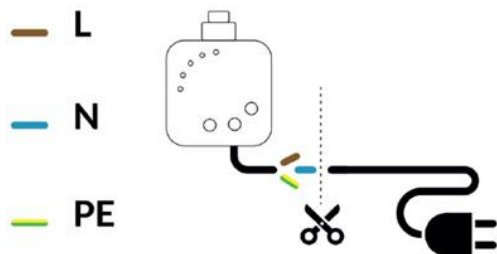


POWER [W]	120	200	300	400	500	600	800	1000	1200
"L" [mm]	310	270	295	330	345	360	470	560	562
"L" [mm]	377	327	362	397	412	427	537	627	629

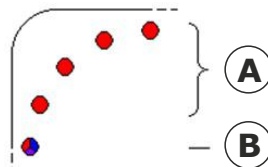
**8**



**9**



**10**



# User Manual

## Microchip controlled electric heater

Thank you for buying this product made by HeatQ Technology Sp. z o.o. HeatQ products are designed and manufactured according to the best practices. Read and understand this User Manual to enjoy a failure-free operation of the product. Keep this User Manual for future reference. You can also download a copy from: [www.heatq.com](http://www.heatq.com)

## Safety precautions: Installing the heater (Fig. 2, 4)

1. Install the heater according to this User Manual.
2. Have the heater installed only by a qualified technical professional and connected to a professionally wired electrical system which matches the ratings of the heater. Consult the nameplate or the technical specifications in the User Manual.
3. These safety precautions show the permitted installation location of the heater and the minimum distance from wet areas (washbasins, showers and bath tubs) which must be followed to avoid electrocution.
4. The type of the electrical system connected to the heater must meet the local electrical engineering and safety standards and regulations.
5. The power supply line of the heater must feature a 30-milliamp overcurrent circuit breaker (integrated with a ground fault breaker).
6. Do not connect the heater to live voltage through any extension cords or adapters.
7. If the heater is wired to the power supply through a circuit breaker which breaks all poles for a complete isolation from voltage or without a power cord plug removable from a mains outlet, install this circuit breaker in the building's electrical supply line connected to the heater in compliance with applicable electrical engineering and safety standards and regulations.
8. Do not power on the heater when dry (outside a heating radiator primed with a heating medium) for more than 2 seconds.
9. Do not use the heater in a system the heating medium temperature of which can exceed 82°C, otherwise the overtemperature trip may fail.
10. Make sure that the power supply line connected to the heater does not touch any hot surface of the heater or its heating radiator.
11. Never attempt to power on the heater with its heating radiator empty!
12. The maximum operating pressure of the heater radiator is 10 Atm.
13. The power output of the heater must be equal to or less than the power output of its heating radiator operated at 75/65/20°C.
14. Always isolate the heater from live voltage before installing or removing it.
15. This heater is intended for domestic non-commercial use only.

## Safety precautions: Operating the heater

1. Use this heater only as intended by the manufacturer.
2. This heater is not a toy. Keep it out of the reach of children.
3. Frequently inspect the heater to assure its continued safe use.
4. If the permanent power cord is damaged, do not use the heater. Isolate it from the supply voltage. Have the damaged power cord replaced by the manufacturer or a qualified service professional to avoid hazards to health and life.
5. The manufacturer shall not be liable for any consequences of unauthorized tampering with the microchip controller internals or any unauthorized modification of the design of the heater.
6. Protect the heater controller from flooding.
7. This heater can be operated by children at least 8 years old, the physically and/or mentally challenged, and people inexperienced in and/or unfamiliar with this product type only when supervised and/or instructed by able and responsible adults to make the safe use and potential hazards of operation clearly understood. Do not let children play with the heater. Do not allow children to clean or maintain the heater unsupervised.
8. Clean the heater when isolated from live voltage.
9. The heater and its heating radiator can become hot to touch when in use: hazard of burns!

## Electric radiator/dryer applications (Fig. 2, 3, 8, 9)

Safe installation and operating procedures: Informative

1. Use the heater as intended by the manufacturer.

2. The electric radiator is not a toy. Keep it out of the reach of children.
3. Install the electric radiator on a wall according to the instructions from its manufacturer.
4. To maximize safety to small children, install the electric radiator with the bottom edge at least 60cm above the floor.
5. The electric heater can become very hot: hazard of burns! Extreme caution is advised when operating the electric radiator in presence of children and the physically and/or mentally challenged.
6. When drying towels or clothes, make sure that the laundering products and the textiles can be exposed to drying at high temperatures.
7. Do not connect the heater to live voltage through any extension cords or adapters.
8. Have the equipment installed by a qualified professional and in compliance with applicable safety standards and regulations. All electrical power systems the equipment is connected to must meet the local engineering and safety standards and regulation.
9. The power supply line of the heater must feature a 30-milliamp overcurrent circuit breaker (integrated with a ground fault breaker).
10. If the heater is wired to the power supply through a circuit breaker which breaks all poles for a complete isolation from voltage or without a power cord plug removable from a mains outlet, install this circuit breaker in the building's electrical supply line connected to the heater in compliance with applicable electrical engineering and safety standards and regulations.

## Intended use (Fig. 1, 6, 7)

This electric heater, when properly chosen and sized for your application, is a heating device and a component of a radiator. Install the heater in a radiator (a standalone unit or connected to a central heating system) to provide it with a functionality of a laundry dryer.

This electric heater does not feature an indoor room thermostat for temperature control.

## Technical specifications

Type:	<b>HEC1.0.A - straight cable with the plug</b> <b>HEC1.0.B - spiral cable with the plug</b> <b>HEC1.0.C - hidden cable</b>
Power supply ratings:	<b>~230VAC / 50Hz</b>
Insulation class:	<b>I</b>
Power rating:	<b>120, 200, 300, 400, 500, 600, 800, 1000, 1200W</b>
Enclosure IP rating:	<b>IPx4</b>
Electrical supply connection type:	<b>Y</b> (The power cord is non-user replaceable and shall only be serviced by the manufacturer.)
	<b>Permanent wiring to the electrical supply system</b>
Threaded connection port:	<b>1/2"</b>

## Design overview (Fig. 1)

1. Heater core element
2. Controller enclosure
3. Power switch (On/Off)
4. Temperature - (decrease)
5. Temperature + (increase)
6. LED indicator
7. Power cord

## Installation instructions (Fig. 2, 3, 4, 5, 6, 7, 8, 9)

Before attempting the installation, make sure that the electric heater is isolated from the mains. Do not power on the electric heater when dry: hazard of burns and failure of the overtemperature trip! Make sure that the heating radiator has water (or another liquid heating medium, as applicable), before powering on the electric heater.

1. Thread in the electric heater at the lower part of the heating radiator or a connection valve or tee (the two latter parts must be purchased separately, if to be used). Do not hold the electric heater by its enclosure when threading it in.
2. Tighten the electric heater with a 22mm flat wrench to a torque sufficient to secure a tight connection.
3. Rotate the electric heater housing to have the controller front panel readily visible to the user. The rotation range is 330°. The rotation range is limited with mechanical stops. Try rotating in either direction to orient the controller front panel as desired.

- Fill the heating radiator with the suitable heating medium to the maximum level specified by the manufacturer. A standalone electric radiator requires an overhead of air above the heating medium. A central heating radiator requires one of its valves open. In either case, this prevents internal overpressure due to the natural thermal expansion of the heating medium while in operation.  
Do not fill the heating radiator completely. Too much of the heating medium, coupled with its confinement in the radiator and high operating temperatures, may exceed the maximum safe operating pressure specified by the manufacturer of the radiator. This is a hazard of injury, death or damage to property. The maximum operating pressure of the electric heater is 10 Atm.
- Do not use the electric heater with any heating medium which may exceed 82°C: hazard of overtemperature trip failure. This electric heater features a non-resettable overtemperature trip which is triggered when the overtemperature sensor installed in a tube near the heater core element exceeds 82°C. If the overtemperature trip is triggered, the controller will continue to operate, while the heating function will be turned off. A qualified technical service authorized by the manufacturer can reset the heater for you.
- With the connection sealed and tight, connect the electric heater to the mains. Verify that the voltage rating of the building electrical system matches the nameplate data of the heater. Connect the electric heater to a mains outlet with a PE (protective earth terminal) only. Make sure that the electric heater is not defective: inspect the wiring insulation, the power cord plug, etc.
- If a permanent wiring connection is made, follow this wiring assignment:
  - Brown cord wire: phase (L)
  - Blue cord wire: neutral (N)
  - Yellow/green cord wire: protective earth (PE)
- If installed in a central heating radiator, the radiator must have stop valves on the supply and return sides to facilitate removal.

## Functionality (Fig. 1, 10)

- The heating medium temperature can be set with the Temperature + and - buttons. Available heating limits: 30, 40, 50, and 60°C.
- Maximum drying heat output and two operating modes:
  - timer TURBO: the heater reverts to the original temperature setting after 2 hours of operation at the maximum temperature.
  - timer START/STOP: the heater is turned off after 2 hours of operation.
- The controller front panel can be oriented by rotating it within 330°.
- Smart operation control by a microchip controller.
- Smart operating status indication: Heating On, Set, Timer, Fault with LED indicator colours.
- Antifreeze protection: prevents freezing of the heating medium.
- Two-stage overtemperature trip:
  - the heater controller keeps the temperature at or below 60°C;
  - the overtemperature trip isolates the supply voltage if the heating medium temperature exceeds the maximum limit due to e.g. failure of the controller or the temperature sensor.
- Energy-efficient power input control with a smart Ultra-Low-Power rated microchip application during operation and in standby mode.

## Operation (Fig. 1, 10)

- Pressing the Power On/Off button turns the heater on and off.
- Pressing the Temperature + button opens the temperature setting mode to select the target temperature of the heating medium.
- Pressing the Temperature - button opens the temperature setting mode to select the target temperature of the heating medium.
- The LED indicator shows when the temperature setting mode is active.
- Pressing and holding the Temperature - button for approx. 3 seconds starts the timer TURBO. Now, the heater starts heating the heating medium to the maximum temperature and will hold it for 2 hours. Next, the controller will revert to the last temperature setting made before starting the timer.
- Pressing and holding the Temperature + button for approx. 3 seconds starts the timer START/STOP. Now, the heater starts heating the heating medium to the maximum temperature and will hold it for 2 hours. Next, the controller will power off the heater.
- With either timer on, pressing the Power On/Off button deletes the timer setting and turns off the heater.

- Antifreeze: When the electric heater is connected to the mains voltage with the controller in standby, decreasing the heating medium temperature below 6°C starts the heater. Now, the heater will hold a sufficient temperature to prevent freezing of the heating medium by repeatedly bringing the medium to 40°C and standing by without heating. The controller will repeat this antifreeze cycle until the heating medium temperature does not decrease to 6°C any longer.

**CAUTION!** Do not unplug the power cord from the mains outlet, otherwise the Antifreeze will not work! The electric heater microchip controller is an Ultra-Low-Power device, which means the power input is very low – also in standby.

- Electric heater operating status indication: **(Fig. 10)**

**A** LED2 / 3 / 4 / 5 — target or actual heating temperature (30 / 40 / 50 / 60°C, respectively)

**B** LED 1 — shows the current operating mode of the heater (Heating On, Set, Timer, Antifreeze, Fault)

LED indication	Heater operating status
LED1 – red, steady ON	The heater heats to the target temperature indicated by other LEDs.
LED1 – blue, steady ON LED2 – red, steady ON	Antifreeze on.
LED1 – blue, steady ON LED2 to 5 – red, steady ON, dimmed	Heating target temperature.
LED1 – red, steady ON LED2 to 5 – red, coming ON in the order of numbering	The heater is increasing temperature to the target setting. LEDs 2 to 5 come ON steady as the heater reaches the successive temperature levels. When the actual temperature meets the target setting, all LEDs are steady ON.
LED1 – red, steady ON LED2 to 5 – red, turned OFF in the reverse order of numbering	The heater is cooling down; the target temperature is below the actual temperature.
LED1 – alternates between red and blue	Temperature sensor reading error: Fault.
LED1 – purple, steady ON	Timer TURBO running, the max temperature dryer mode is ON.
LED1 – purple, flashing	Timer START/STOP running, the max temperature dryer mode is ON.

- If power is cycled (e.g. the supply voltage is restored after a blackout or the power cord is unplugged and plugged back in) and the controller was on, it will restore the last settings to continue operation.
- The electric heater supports external control timers.

## Removing the electric heater

- Turn off the heater and unplug the power cord.
- Remove the standalone electric radiator with the electric heater installed and turn the radiator with the heater up. The heating medium does not have to be drained.
- Isolate the supply and return stop valves of the central heating radiator. Drain the heating medium from the radiator.
- Use a 22 mm flat wrench to remove the electric heater. Do not unscrew / screw in the electric heater by holding it by the enclosure. Otherwise the heater will be damaged.

## Maintenance

Disconnect the electric heater from the mains before cleaning. Protect the microchip controller from water.

Clean with a soft cloth or a soft sponge. Never clean with abrasive or corrosive products or sharp tools, otherwise the decorative finish will be damaged.

- Clean the coated surfaces with warm water and a gentle detergent.
- Clean the chrome-plated surfaces with a suitable cleaning and care agent.

## End of life disposal

Do not dispose of the product with household waste at the end of service life. This product is regulated by WEEE (waste electrical and electronic equipment) laws. Return the product to an authorized WEEE collection and recycling provider. Consult the original reseller or the manufacturer for the nearest WEEE collection and recycling provider.

**By complying with lawful and correct waste disposal, you contribute to protection of the environment**

## Warranty Terms & Conditions

1. This Warranty is granted to the product manufactured by HeatQ Technology Sp. z o.o. and specified in this User Manual.
2. The Warranty period is 24 months from the date of original purchase and for a maximum of 36 months from the date of production. You can identify the date of production by consulting the serial number on the back of the enclosure.
3. If you want to claim the product on warranty, submit the claim with the proof of purchase. Otherwise the manufacturer may reject your claim.
4. When purchasing the product, the buyer shall confirm it is free of defects. If no defect is claimed, including defects of the decorative finish of the housing, the product is deemed to be sold without defects.
5. The heating system this product is to be used with shall feature stop valves at the heating radiator to facilitate its removal or removal of the electric heater without servicing the entire central heating system and its full heating medium charge. The manufacturer shall not be liable for any consequences, including any costs, caused by an improper design and/or execution of the heating system.
6. This Warranty does not cover any defects caused by improper installation or removal or misuse of the product. Read and understand this User Manual, which is an essential part of this Warranty, before using the product.
7. Having filed a warranty claim, the buyer shall deliver the claimed product to the manufacturer's headquarters to have it inspected and repaired, if the claim is not rejected. The manufacturer has 14 working days from the date of delivery of the product for an expert opinion and repair of the defective product.
8. If the claimed defect(s) cannot be repaired, the manufacturer will replace the product with a new one and with equivalent specifications.

# Lietošanas instrukcija

## Elektriskais sildītājs ar elektronisko regulatoru

Apsveicam ar HeatQ Technology Sp. z o.o. izvēli Mūsu produkti ir izstrādāti un ražoti saskaņā ar spēkā esošajām prasībām. Izlasiet instrukciju, lai izbaudītu ierīces nevainojamu darbību. Saglabāiet lietošanas instrukciju vai jebkuru brīdi lejupielādējiet to no ražotāja tīmekļa vietnes: [www.heatq.com](http://www.heatq.com)

## Drošības prasības – sildītāja uzstādīšana (zīmējums: 2, 4)

1. Sildītājs ir jāuzstāda saskaņā ar ražotāja norādījumiem, kas iekļauti šajā lietošanas instrukcijā.
2. Sildītāja uzstādīšanu drīkst veikt tikai atbilstoši apmācīts uzstādītājs. Ierīci drīkst pieslēgt tikai pie pareizi izgatavotas elektriskās instalācijas – pārbaudiet ierīces tehniskos parametrus.
3. Drošības prasības nosaka pieļaujamu atrašanās vietu un attālumu no mitrām vietām, tostarp no izlietnes, dušas, vannas, lai nodrošinātu aizsardzību pret elektriskās strāvas trieciena risku.
4. Katram instalācijas veidam, pie kura ierīce tiek pieslēgta, jāatbilst atbilstošiem noteikumiem, kas ir spēkā konkrētā teritorijā.
5. Jānodrošina, lai elektriskās instalācijas ķēde, kas nodrošina elektroenerģijas padevi sildītājam, būtu aprīkota ar pārsprieguma un noplūdstāvas slēdzi ar 30mA jūtību.
6. Nelietojiet adapterus vai pagarinātājus sildītāja barošanai.
7. Ja ierīce nav aprīkota ar līdzekļiem, kas ļauj atvienot to no strāvas avota un kuriam nav kontaktu atdalītāju uz visiem poliem, kas nodrošina pilnīgu atvienošanu, vai tai nav barošanas kabeļa ar spraudni, šāds slēdzis ir jāuzstāda pastāvīgajā elektriskajā instalācijā saskaņā ar šādas instalācijas noteikumiem.
8. Neieslēdziet sildītāju, kurš nav pievienots pie uzpildīta radiatora uz laiku, kas pārsniedz 2 sekundes.
9. Nelietojiet sildītāju instalācijā, kurā sildīšanas līdzekļa temperatūra var pārsniegt 82°C. Ja šī robežvērtība tiek pārsniegta, tiek sabojāta termiskā aizsardzība.
10. Pārlicinieties, ka pēc sildītāja uzstādīšanas tā barošanas vads nepieskaras sildītāja vai radiatora karstajām daļām.
11. Stingri aizliegts ieslēgt sildītāju, kad radiators ir iztukšots!
12. Spiediens radiatorā ar uzstādītu sildītāju nedrīkst pārsniegt 10 atm.
13. Sildītāja jauda nedrīkst pārsniegt radiatora jaudu, kad tas darbojas ar parametriem 75/65/20°C.
14. Uzstādīšanas vai demontāžas laikā ierīce nedrīkst būt pieslēgta pie strāvas - atvienojiet to no barošanas avota.
15. Ierīce ir paredzēta lietošanai mājās apstākļos.

## Drošības prasības – sildītāja lietošana

1. Izstrādājumu drīkst izmantot tikai ražotāja paredzētajam mērķim.
2. Produkts nav rotaiļlieta.
3. Regulāri pārbaudiet ierīci, lai nodrošinātu tās drošu lietošanu.
4. Ja neatvinojama barošanas vads ir bojāts, ierīci nedrīkst izmantot. Atvienojiet ierīci no strāvas avota. Bojātu barošanas vadu drīkst nomainīt ražotājs vai servisa darbinieks, lai izvairītos no drošības apdraudējuma riska.
5. Ražotājs neatbild par sekām, kas rodas, patvaļīgi ieaucoties regulatora iekšpusē vai gadījumā, ja nepilnvarotas personas veica regulatora konstrukcijas izmaiņas.
6. Nepieļaujiet sildītāja regulatora pārpludināšanu.
7. Šo ierīci drīkst lietot bērni, kas vecāki par 8 gadiem, personas ar ierobežotām fiziskām, garīgām spējām, kā arī personas bez pieredzes un ierīces pārzināšanas, ja tiek nodrošināta uzraudzība vai instruktāža par drošu ierīces ekspluatāciju tādējādi, lai ar to saistītie riski būtu saprotami. Bērni nedrīkst spēlēt ar ierīci. Bērni bez uzraudzības nedrīkst tīrīt ierīci vai veikt tās apkopi.
8. Tīriet ierīci tikai pēc tam, kad tā ir atvienota no elektrotīkla.
9. Sildītājs ar radiatoru var uzkarst līdz augstai temperatūrai – esiet piesardzīgi, pieskaroties ierīcēm.

## Elektriskais sildītājs – žāvētājs (zīmējums: 2, 3, 8, 9)

Drošas uzstādīšanas un lietošanas noteikumi – informatīvs materiāls

1. Lietojiet ierīci atbilstoši tās paredzētajam mērķim.
2. Elektriskais sildītājs nav rotaiļlieta.

3. Sildītājs ir jāuzstāda pie sienas atbilstīgi ražotāja norādījumiem.
4. Lai palielinātu mazu bērnu drošību, uzstādiet sildītāju tā, lai tā zemākā daļa atrastos vismaz 60 cm virs grīdas.
5. Sildītājs var būt ļoti karsts un izraisīt apdegumus. Esiet īpaši uzmanīgi, lietojot ierīci bērnu vai cilvēku ar invaliditāti klātbūtnē.
6. Žāvējot dvieļus un/vai drēbes, pārlicinieties, ka izmantoti mazgāšanas līdzekļi nav jāvējami apgēriņi ar paredzēti žāvēšanas augstā temperatūrā.
7. Nelietojiet adapterus vai pagarinātājus elektriskā sildītāja barošanai.
8. Ierīces uzstādīšana ir jāveic apmācītam uzstādītājam saskaņā ar spēkā esošajiem drošības noteikumiem. Visām instalācijām, kurām ierīce tiek pieslēgta, jāatbilst atbilstošiem noteikumiem, kas ir spēkā attiecīgajā teritorijā.
9. Jānodrošina, lai elektriskās instalācijas ķēde, kas nodrošina elektroenerģijas padevi sildītājam, būtu aprīkota ar pārsprieguma un noplūdstāvas slēdzi ar 30mA jūtību.
10. Ja ierīce nav aprīkota ar līdzekļiem, kas ļauj atvienot to no strāvas avota un kuriam nav kontaktu atdalītāju uz visiem poliem, kas nodrošina pilnīgu atvienošanu, vai tai nav barošanas kabeļa ar spraudni, šāds slēdzis ir jāuzstāda pastāvīgajā elektriskajā instalācijā saskaņā ar šādas instalācijas noteikumiem.

## Paredzētais mērķis (zīmējums: 1, 6, 7)

Pareizi izvēlēts sildītājs ir elektriska sildīšanas ierīce, un tā ir tikai radiatora elements. Sildītājs ir jāuzstāda pie radiatora (atsveišķs ūdens radiatora vai centrālās apkures radiatora), lai to izmantotu par dvieļu un/vai apģērba žāvētāju.

Sildītājs nav aprīkots ar istabas temperatūras regulatoru.

## Tehniskie dati

Tips:	<b>HEC1.0.A – taisns vads ar spraudni</b> <b>HEC1.0.B – sprīdveida vads ar spraudni</b> <b>HEC1.0.C – vada pārsegs</b>
Barošana:	<b>~230VAC, 50Hz</b>
Izolācijas klase:	<b>I</b>
Jauda:	<b>120, 200, 300, 400, 500, 600, 800, 1000, 1300 W</b>
Korpusa aizsardzības klase:	<b>IPx4</b>
Elektrības savienotāja tips:	<b>Y</b> (lietotājs nedrīkst mainīt strāvas vadu – to drīkst nomainīt tikai ražotājs) <b>ierīce, kas pastāvīgi pieslēgta instalācijai</b>
Vītnes savienojums:	<b>1/2"</b>

## Uzbūve (zīmējums: 1)

1. Sildelements
2. Regulatora korpus
3. Slēdzis (on/off)
4. Temperatūras regulācija "uz leju"
5. Temperatūras regulācija "uz augšu"
6. Diodes indikators
7. Elektrības vads

## Uzstādīšana (zīmējums: 2, 3, 4, 5, 6, 7, 8, 9)

Pirms uzstādīšanas pārlicinieties, ka sildītājs nav pievienots elektrotīklam. Sildītāju nedrīkst ieslēgt, kad radiators ir iztukšots – tas var izraisīt apdegumus un sabojāt termisko aizsardzību. Pirms sildītāja ieslēgšanas pārbaudiet, ka radiatorā atrodas ūdens (cits sildīšanas līdzeklis).

1. Ieskrūvējiet sildītāju radiatora apakšējā atverē vai izmantojiet iepriekš uzstādītu vārstu/trejgabalu. Neieskrūvējiet sildītāju, turot to aiz korpusa.
2. Pieskrūvējiet sildītāju ar 22 mm plakānu uzgriezņu atslēgu ar atbilstošu spēku, līdz tiek panākts atbilstošs hermētiskums.
3. Pagrieziet sildītāja korpusu pareizā virzienā, lai novietotu regulatora priekšpusē daļu lietotājam ērtā pozīcijā – to var pagriezt 330° leņķī. Rotācijas diapazonu ierobežo sajūtam aizsargs – ja neizdevās novietot regulatoru, pagriežot to uz vienu pusi, mēģiniet pagriezt to pretējā virzienā.
4. Uzplīdiet sildīšanas līdzekli radiatorā līdz radiatora ražotāja noteiktajam līmenim. Nodrošiniet gaisa spraugu elektriskajā sildītājā, bet centrālās apkures radiatorā atstājiet vienu vārstu atvērtu, lai novērstu spiediena palielināšanos sildīšanas līdzekļa termiskās izplešanās dēļ.

Aterieties, ka nedrīkst uzpildīt radiatoru līdz 100% no tā tilpuma. Pārmērīgs sildīšanas līdzekļa daudzums un tā augsta temperatūra aizslēgtā sildītājā var paaugstināt spiedienu, pārsniedzot sildītāja ražotāja noteiktās pieļaujamās vērtības. Šāda situācija var radīt apdraudējumu veselībai, dzīvībai vai īpašumam. Sildītāja maksimālais spiediens ir 10 atm.

- Radiatoru nedrīkst uzpildīt ar šķidrumu, kura temperatūra ir augstāka par 82°C – tas var sabojāt termisko aizsardzību. Sildītājam ir vienreizējās darbības (neatgriezeniska) termiskā aizsardzība, kas iedarbojas, ja termiskais drošinātājs, kurš atrodas caurulē pie sildēlementa, pārsniedz 82°C temperatūru. Tā rezultātā sildītāja regulators darbošies, bet sildītājs nesildīs – lai pilnībā atjaunotu ierīces darba stāvokli, nepieciešams izsaukt apmācītu ražotāja servisa darbinieku.
- Pēc ierīces hermētiskuma pārbaudes var pievienot sildītāju elektrotīklam – pārliecinieties, ka mājas elektriskās instalācijas spriegums atbilst spriegumam, kas norādīts uz produkta datu plāksnītes. Pieslēdziet sildītāju tīkla pie kontaktligzdas ar zemējumu (PE ķēde). Papildus tam pārbaudiet, vai ierīce nav bojāta – tas jo īpaši attiecas uz elektriskiem elementiem, piemēram, vadu izolāciju, kontaktakšām utt.
- Pastāvīgi pieslēdzot ierīci pie elektrotīkla, ievērojiet šādus norādījumus:
  - Brūnā vada izolācija – fāzes ķēde (L),
  - Zilā vada izolācija – neitrālā ķēde (N),
  - Dzelteni-zaļā vada izolācija – aizsardzības ķēde (zemējums) (PE).
- Centrālās apkures sildītāji jāaprīko ar slēgvārstiem pie padeves un atpakaļplūsmas, lai varētu veikt demontāžu.

## Funkcijas (zīmējums: 1, 10)

- Sildīšanas līdzekļa temperatūras regulēšana ar taustiņiem "+" un "-". Sildīšanas līmeņi: 30, 40, 50, 60°C.
- Žāvētāja funkcija ar maksimālo sildīšanas jaudu un diviem darba režīmiem:
  - taimeris "TURBO" – pēc 2 stundām atgriežas pie iepriekšējiem iestatījumiem,
  - taimeris "START/STOP" – pēc 2 stundām sildītājs izslēdzas.
- Regulatoru var pagriezt 330° leņķī.
- Vieda darba vadība – mikroprocesora vadība.
- Vieda darba stāvokļu vizualizācija: sildīšana, iestatīšana, taimeris, kļūme – krāsaina LED tehnoloģija.
- Aizsardzība pret līdzekļa sasaldāšanu – pretsasalšanas režīms.
- Dvīpakāpju termiskā aizsardzība:
  - regulatora vadība neļauj temperatūrai pārsniegt 60°C,
  - termiskais drošinātājs pārtrauc elektrības padevi, kad konstatēts nekontrolēts temperatūras pieaugums, kā arī kad temperatūras regulators vai sensors ir bojāts.
- Zems enerģijas patēriņš "darba" režīmā, pateicoties inovatīvai elektroniskajai sistēmai, un "gaidīšanas režīmā", pateicoties Ultra-Low-Power tehnoloģijas izmantošanai.

## Lietošana (zīmējums: 1, 10)

- Nospiežot "on/off" taustiņu, sildītājs tiek ieslēgts/izslēgts.
- Nospiežot taustiņu "+", tiek aktivizēts temperatūras iestatīšanas režīms, kurā iestata temperatūru, kāda radiators sildīšanas līdzeklim ir jāsasniedz.
- Nospiežot taustiņu "-", tiek aktivizēts temperatūras iestatīšanas režīms, kurā iestata temperatūru, kāda radiators sildīšanas līdzeklim ir jāsasniedz.
- Temperatūras iestatīšanas režīma aktivizēšanu norāda LED gaismas.
- Nospiežot un 3 sekundes paturot taustiņu "+", tiek aktivizēts taimeris "TURBO". Sildītājs sāks sildīt radiatora sildīšanas līdzekli līdz maksimālajai temperatūrai un uztur to 2 stundu laikā. Pēc šī laika beigām regulators atgriezīsies līdz temperatūras iestatījumiem pirms taimera aktivizēšanas.
- Nospiežot un 3 sekundes paturot taustiņu "-", tiek aktivizēts taimeris "START/STOP". Sildītājs sāks sildīt radiatora sildīšanas līdzekli līdz maksimālajai temperatūrai un uztur to 2 stundu laikā. Pēc šī laika regulators izslēdz sildītāju.
- Kad taimeris ir ieslēgts, nospiežot pogu "on/off", tiek izdzēsti taimera iestatījumi un sildītājs tiek izslēgts.
- PRETSASALŠANAS funkcija. Kamēr sildītājs ir pieslēgts elektrotīklam, bet tā regulators ir izslēgts un sildīšanas līdzekļa temperatūra nokritis zem 6°C, sildītājs aktivizē režīmu, kurā tas uzsilda sildīšanas līdzekli, lai tas nesasaltu – šajā režīmā sildītājs cikliski silda radiatora līdzekli līdz 40°C temperatūrai un pēc tam regulators pāriet gaidīšanas režīmā. Regulators

sildīs līdzekli iepriekšminētajā veidā līdz sildīšanas temperatūra nekritis vairs zem 6°C.

**UZMANĪBU!** Lai nodrošinātu PRETSASALŠANAS funkcijas pareizu darbību, neaivienojiet kontaktdakšu no kontaktligzdas.

Sildītāja regulators ir izstrādāts, izmantojot Ultra-Low-Power tehnoloģiju, kas nozīmē ļoti mazu enerģijas patēriņu arī gaidīšanas režīmā

- Sildītāja darbības režīmu vizualizācija (**zīmējums: 10**)

- A** LED2, 3, 4, 5 – norāda iestatītās vai pašreizējās sildīšanas temperatūras līmeni (attiecīgi 30, 40, 50, 60°C)
- B** LED1 - norāda sildītāja darba režīmu (sildīšana, iestatīšana, taimeris, pretsasalšana, kļūme)

LED indikatora statuss	Sildītāja darba režīms
LED1 – nepārtraukts sarkans signāls	Sildītājs silda līdz līmenim, ko norāda pārējie LED indikatori
LED1 – nepārtraukts zils signāls LED2 – nepārtraukts sarkans signāls	PRETSASALŠANAS funkcija
LED1 – nepārtraukts zils signāls LED2 līdz 5 – vājināts nepārtraukti sarkans signāls	Sildīšanas līmeņa iestatīšanas režīms
LED1 – nepārtraukts sarkans signāls LED2 līdz 5 – pakāpeniski ieslēdzas sarkans signāls	Sildītājs uzkarst līdz iestatītajam līmenim. LED2 līdz 5 gadījumā – nepārtraukts gaismas signāls nozīmē, ka ir sasniegti kārtējie temperatūras līmeņi. Pēc iestatītās temperatūras sasniegšanas visas LED gaismas deg nepārtraukti.
LED1 – nepārtraukts sarkans signāls LED2 līdz 5 – pakāpeniski izslēdzas sarkani signāli	Sildītājs atdziest, kas nozīmē, ka iestatītā temperatūra ir zemāka par pašreizējo.
LED1 – pārmaiņus sarkans/zils signāls	Regulatora kļūme, nolasot temperatūru no sensora – trauksmes stāvoklis
LED1 – nepārtraukts violets signāls	Taimeris "TURBO" – aktivizēta žāvētāja funkcija
LED1 – mirgo violets signāls	Taimeris "START/STOP" – aktivizēta žāvētāja funkcija

- Pēc elektrotīkla padeves atjaunošanas pēc tās iepriekšējās pazušanas (elektrotīkla kļūme vai kontaktdakšas izņemšana), kad regulators bija ieslēgts, sildītājs atsāk darbu tādā režīmā, kādā tas darbojās pirms elektrības padeves pārtraukuma.

- Sildītājs ir savienojams ar parastu taimeris.

## Sildītāja demontāža

- Izslēdziet sildītāju un izņemiet kontaktdakšu no elektrotīkla kontaktligzdas.
- Elektriskajā sildītājā – noņemiet to kopā ar sildītāju, pagriežot to ar sildītāju uz augšu. Sildīšanas līdzeklis nav jāizņem.
- Centrālās apkures radiatora gadījumā aizslēdziet vārstus pie padeves un atpakaļplūsmas. Izņemiet sildīšanas līdzekli no radiatora.
- Izmantojot 22. izmēra atsļēgu, atskrūvējiet sildītāju no radiatora ligzdas. Nedrīkst ieskrūvēt/izskrūvēt sildītāju, turot to aiz korpusa. Tas var sabojāt ierīci.



## Apkope

Tīrīšanas laikā atvienojiet sildītāju no barošanas avota. Nepieļaujiet regulatora pārpludināšanu.

Tīrīšanai izmantojiet mīkstu drānas vai sūkļus. Nekādā gadījumā nelietojiet kodīgus un abrazīvus tīrīšanas līdzekļus vai asus priekšmetus – tas aizsargās pret dekoratīvā pārklājuma bojājumiem.

- lakotās virsmas mazgājiet ar siltu ūdeni un maigiem tīrīšanas līdzekļiem,
- notīriet hromētas virsmas ar šim nolūkam paredzētiem līdzekļiem.

## Utilizācija

Pēc ekspluatācijas pabeigšanas produktu nedrīkst izmest kopā ar sadzīves atkritumiem. Uz ierīci attiecas īpašas prasības par elektrisko un elektronisko atkritumu apsaimniekošanu. Nododiet ierīci elektrisko un elektronisko ierīču savākšanas un pārstrādes vietā. Informāciju par atbilstošu izlietoto ierīču utilizācijas vietu var saņemt tirdzniecības vietā vai no ražotāja.

## Rikojoties saskaņā ar pareizas apglabāšanas principiem, sniedziet ieguldījumu vides aizsardzībā

## Garantijas noteikumi

1. Garantijas priekšmets ir šajā lietošanas instrukcijā aprakstītais produkts, ko ražo HeatQ Technology sp. z o.o.
2. Garantijas termiņš ir 24 mēneši pēc iegādes datuma, bet ne ilgāk kā 36 mēneši pēc ražošanas datuma. Ražošanas datumu var identificēt pēc sērijas numura, kurš atrodas korpusa aizmugurē.
3. Garantijas prasību celšanas pamats ir produkta iegādi apliecinošs dokuments. Šī apliecinošā dokumenta neesamība dod ražotājam tiesības noraidīt garantijas prasību.
4. Saņemot preci iegādes laikā, klients apstiprina, ka tas ir pilnvērtīgs produkts. Ja klients nav cēlis pretenzijas par produktu – it īpaši korpusa dekoratīvo virsmu kvalitāti – tiek uzskatīts, ka izstrādājums tika izsniegts bez trūkumiem.
5. Apkures instalācijai ir jābūt aprīkoti ar noslēgvārstiem, lai varētu demontēt radiatoru/sildītāju, netraucējot visu centrālās apkures iekārtu. Ražotājs neatbild par problēmām un izmaksām, kas rodas nepareizi sagatavotas apkures instalācijas dēļ.
6. Garantija neattiecas uz bojājumiem, kas radušies nepareizas ierīces montāžas/demontāžas un nepareizas ekspluatācijas dēļ. Pirms lietošanas lūdzam izlasīt šo lietošanas instrukciju, kas ir neatņemama garantijas sastāvdaļa.
7. Ražotājs veic ekspertīzi un bojāta produkta remontu 14 dienu laikā pēc bojāta produkta nogādāšanas ražotājam.
8. Ja remonts nav iespējams, ražotājs aņņemas nodrošināt jaunu produktu ar tādiem pašiem parametriem.

# Naudojimo instrukcija

## Kaitinimo elementas (Tenas) su elektroniniu valdymo bloku

Sveikiname pasirinkus „HeatQ Technology Sp. z o.o.“ gaminius. Mūsų gaminiai projektuojami ir gaminami laikantis galiojančių reikalavimų. Susipažinkite su instrukcija, kad galėtumėte džiaugtis be trikdžių veikiančiu prietaisu. Išsaugokite instrukciją arba bet kada parsiųskite ją iš gamintojo tinklalapio [www.heatq.com](http://www.heatq.com)

## Saugos reikalavimai – Kaitinimo elemento (Teno) įrengimas (paveikslukas: 2, 4)

- Šildyklę montuoti laikantis šioje instrukcijoje pateikiamų gamintojo 1. Kaitinimo elementą montuoti laikantis šioje instrukcijoje pateikiamų gamintojo nurodymų.
- Kaitinimo elementą montuoti gali tik montuotojas, turintis tinkamą kvalifikaciją, kuris prijungia prietaisą prie tinkamai įrengto elektros tinklo – patikrinti prietaiso vardinis duomenis.
- Saugos reikalavimai nustato leistiną vietą ir atstumą nuo šlapių vietų (įskaitant praustuva, dušą, vonią), kad būtų apsaugota nuo elektros srovės smūgio.
- Bet koks tinklas, prie kurio jungiamas prietaisas, privalo atitikti konkrečioje teritorijoje galiojančius reikalavimus.
- Būtina užtikrinti, kad kaitintuvo maitinimo elektros tinklo grandyje būtų įrengti viršįtampio ir diferencinis srovės jungikliai, kurių jautris 30mA.
- Kaitintuvo maitinimui negalima naudoti jokių adapterių ir ilgutvinių.
- Jeigu prietaise neįrengtos priemonės, leidžiančios atjungti iš maitinimo šaltinio, visuose poliuose turinčios kontaktines pertraukas, kurios užtikrina, kad visiškai atjungiamas, ar nėra maitinimo laido kištuko, būtina tokį jungiklį įrengti nuolatiniams elektros tinkle laikantis tokiam tinklui keliamų reikalavimų.
- Neįjungti kaitintuvo ne radiatoriuje, pripildytame šildymo skysčio, t. y. sausuoju būdu, ilgiau nei 2 sekundes.
- Nenaudoti kaitintuvo sistemoje, kurioje šildymo terpės temperatūra gali viršyti 82°C – viršijus šią temperatūrą, pažeidžiama terminė apsauga.
- Užtikrinti, kad įrengus kaitintuvą, jos maitinimo laidas nesiliestų su karštomis šildyklės ar radiatoriaus dalimis.
- Griežtai draudžiama jungti kaitintuvą, jeigu radiatorius yra tuščias!
- Slėgis radiatoriuje su įrengta šildykle negali viršyti 10Bar.
- Kaitintuvo galia negali viršyti radiatoriaus, kuris veikia 75/65/20°C parametrais, galios.
- Montuojant ar išmontuojant prietaisą negali būti įtampos – būtina prietaisą išjungti iš maitinimo.
- Prietaisas skirtas tik naudoti buitjje.

## Saugos reikalavimai – kaitinimo elemento (teno) naudojimas

- Produktą naudoti tik gamintojo numatytiems tikslams.
- Prietaisas nėra žaizdas.
- Reguliariai atlikti prietaiso patikrą, kad būtų užtikrinamas saugus jo naudojimas.
- Jeigu nekeičiamas maitinimo laidas pažeidžiamas, prietaisas netinkamas naudoti. Išjungti prietaisą iš maitinimo tinklo. Pažeistą laidą gali pakeisti gamintojas arba priežiūros centro darbuotojas, kad būtų išvengta pavojaus.
- Gamintojas neatsako už savavališko kišimosi į valdymo bloko vidų padarinius ir pašalinį asmenų padarytus konstrukcijos pakeitimus.
- Neleistina užlieti šildyklės valdymo bloką.
- Šią įrangą gali naudoti ne jaunesni kaip 8 metų vaikai ir žmonės su silpnėmis fizinėmis, protinėmis galimybėmis bei žmonės, neturintys patirties ir žinių apie įrangą, jeigu užtikrinama priežiūra ar apmokoma, kaip saugiai naudoti įrangą, kad su tuo susiję pavojai būtų suprantami. Vaikai neturėtų žaisti su įranga. Neprižiūrimi vaikai neturėtų atlikti įrangos valymo ir priežiūros darbų.
- Prietaisą valyti tik išjungus maitinimą.
- Šildyklė ir radiatorius gali įkaiuti iki aukštos temperatūros – elgtis atsargiai, kai liečiami prietaisai.

## Elektrinis rankšluosčių džiovintuvas – džiovyklė

Saugaus montavimo ir naudojimo taisyklės – informacinė medžiaga

- Prietaisą naudoti pagal jo paskirtį.
- Elektrinis radiatorius nėra žaizdas.

- Gyvatuką pripildyti tvirtinti prie sienos pagal jo gamintojo nurodymus.
- Siekiant pagerinti mažų vaikų saugumą, radiatorių tvirtinti taip, kad jo žemiausia dalis būtų bent 60cm nuo grindų aukštyje.
- Gyvatukas (rankšluosčių džiovintuvas) gali būti labai karštas ir sukelti nudegimus. Elgtis ypač atsargiai, jeigu yra vaikų ar neigaliųjų.
- Džioviant rankšluosčius ir (ar) drabužius, įsitikinti, kad naudojamiems skalbikliams ir džioviniams daiktams netaikoma draudimas džiovinti aukštoje temperatūroje.
- Prietaisą privalo įrengti kvalifikuotas montuotojas, vadovaudamasis visais galiojančiais saugos reikalavimais, ir visi tinklai, prie kurių jungiamas prietaisas, montuotojas turi vadovautis elektros įrenginių įrengimo taisyklėmis „EIT“.
- Būtina užtikrinti, kad kaitintuvo maitinimo elektros tinklo grandyje būtų įrengta srovės nuotekio rėlė , kurių jautris 30 mA.
- Jeigu įrenginyje nėra įrangos, leidžiančios atjungti nuo maitinimo šaltinio, esant pažeidimui, reiktų atjungti L ir N (L-fazės grandinę ir N-neutralią grandinę) kontaktus nuo prietaiso, tai galima padaryti ištraukiant kištuką iš lizdo arba įrengiant dviejų polių automatinį jungiklį elektros skyde.

## Paskirtis (paveikslukas: 1, 6, 7)

Tinkamai parinkta šildyklė yra elektrinis šildymo prietaisas, kuris sudaro šildytuvo dalį. Šildyklę galima įrengti šildytuve (savarankiškame ar prie karšto vandens tinklo prijungtame vandens šildytuve), kad veiktų kaip rankšluosčių ir (ar) drabužių džiovyklė.

Šildyklėje neįrengtas patalpos temperatūros reguliatorius.

## Techniniai duomenys

Tipas:	<b>HEC1.0.A – tiesus laidas su kištuku</b> <b>HEC1.0.B – spiralinis laidas su kištuku</b> <b>HEC1.0.C – paslėptas laidas</b>
Maitinimas:	<b>~230VAC, 50Hz</b>
Izoliacijos klasė:	<b>I</b>
Galia:	<b>120, 200, 300, 400, 500, 600, 800, 1000, 1200 W</b>
Korpuso apsaugos klasė:	<b>IPx4</b>
Elektros jungties tipas:	<b>Y</b> (maitinimo laido neįmanoma pakeisti vartotojui – maitinimo laidą gali pakeisti tik gamintojas) <b>visam laikui prie tinklo prijungtas prietaisas</b>
Srieginė jungtis:	<b>1/2"</b>

## Sandara (paveikslukas: 1)

- Kaitinamasis elementas
- Valdymo bloko korpusas „aukštn“
- Jungiklis (on/off)
- Temperatūros reguliavimas „žemyn“
- Temperatūros reguliavimas
- Diodinis indikatorius
- Maitinimo laidas

## Montavimas (paveikslukas: 2, 3, 4, 5, 6, 7, 8, 9)

Prieš įrengiant įsitikinti, kad kaitinimo elementas neįjungtas į tinklą. Draudžiama kaitinimo elementą (teną) jungti sausuoju būdu – tai gresia nudegimais ir terminės apsaugos sugadinimu. Prieš jungiant keitinimo elementą patikrinti, ar rankšluosčių džiovintuvu yra vandens (kito šildymo regento).

- Į apatinę rankšluosčių džiovintuvo angą arba anksčiau įsuktą vožtuvą (trišakį) įsukti kaitintuvą. Draudžiama įsukti kaitintuvą , jeigu jį laikoma už korpuso.
- Priveržti kaitintuvą 22 mm plokiščiuoju raktu tinkama jėga, kad būtų pasiektas tinkamas sandarumas.
- Pasukti kaitintuvo valdiklio korpusą tinkama kryptimi, kad būtų nustatyta tinkama vartotojui valdymo bloko kriepinės dalies padėtis – galima sukti 330° kampu. Sukimą riboja ribotuvas – jeigu nepavyko valdymo bloko nustatyti sukant jį viena kryptimi, bandyti sukti priešinga kryptimi.
- Gyvatuką pripildyti šildymo regento iki tinkamo lygio, nurodyto gyvatuko gamintojo. Elektriniame radiatoriuje užtikrinti oro pagavę, o prie centrinio šildymo tinklo prijungtame radiatoriuje palikti vieną vožtuvą atidaryta, kad dėl regento šiluminio plėtimosi nepadidėtų slėgis. Atsiminti, kad gyvatukas, rankšluosčių džiovintuvas negalima užpildyti iki 100 proc. jo talpos. Dėl per didelio regento kiekio ir aukštos temperatūros slėgis uždarajame gyvatuke gali viršyti gyvatuko gamintojo nurodytus leistinus dydžius.

Tokiais atvejais gali kilti pavojus sveikatai, gyvybei ar turtui. Maksimalus šildyklės slėgis – 10Bar.

5. Draudžiama į radiatorių pilti agentą, kurio temperatūra viršija 82°C – tai gresia terminės apsaugos sugadinimu. Šildyklėje turi būti įrengta vienkartinio veikimo (negrįžtamoji) terminė apsauga, kuri suveikia, kai vamzdyje prie kaitinamojo elemento įrengtas terminis saugiklis pasiekia temperatūrą virš 82°C. Dėl to šildyklės valdymo blokas veikia, bet šildyklė nešildo – kad tinkamai veiktų prietaisas, būtina krepintis į kvalifikuotą gamintojo priežiūros centrą.
6. Jeigu sujungimas yra sandarus, šildyklę prijungti prie maitinimo tinklo – patikrinti, ar namų elektros tinklo įtampa atitinka gaminio vardinėje lentelėje nurodytą įtampą. Šildyklę jungti tik į lizdą su apsauginiu kaiščiū (PE grandinė). Taip pat būtina patikrinti, ar prietaisas nėra pažeistas – ypač jo elektriniai elementai, pvz., laidų izoliacija, kištukai ir pan.
7. Visam laikui prie tinklo jungiant prietaisą laikytis nurodymų:
  - a) Ruda laido izoliacija – fazės grandinė (L),
  - b) Mėlyna laido izoliacija – neutralioji grandinė (N),
  - c) Geltonai žalia laido izoliacija – apsaugos grandinė (žeminimas) (PE).
8. Radiatorius su šildykle centrinio šildymo sistemoje turi turėti atkertamuosius vožtuvus tiekimo ir grįžimo dalyse, kad prireikus būtų galima išmontuoti šildyklę.

## Funkcijos (paveikslukas: 1, 10)

1. Šildymo regento temperatūros reguliavimas mygtukais „+“ ir „-“: Šildymo lygiai: 30, 40, 50, 60°C.
2. Rankšluosčio džiovinimo funkcija su maksimalia šildymo galia ir dviem veikimo būdais:
  - a) - laikmatis „TURBO“ – po 2 valandų grįžta prie ankstesnės parinkties,
  - b) - laikmatis „START/STOP“ – po 2 valandų išjungia šildyklę.
3. Valdymo bloką galima pasukti 330° kampu.
4. Išmanioji veikimo kontrolė – valdymas mikroprocesoriumi.
5. Išmanusis veikimo būsenų atvaizdavimas: šildymas, parinktas, laikmatis, gedimas – spalvotą LED technologija.
6. Apsauga, kad neužšaltų agentas – „Antifreeze“ funkcija.
7. Dvieju pakopų terminė apsauga:
  - a) valdymo bloko reguliatorius neleidžia temperatūrai pakilti virš 60°C,
  - b) terminis saugiklis išjungia maitinimą, jeigu nekontroliuojama ima didėti temperatūra, kai sugenda temperatūros reguliatorius arba jutiklis.
8. Dėl pažangiosios elektronikos suvartoja mažai energijos, kai veikia ir budėjimo režimu, nes naudojama „Ultra-Low-Power“ technologijos elektronika.

## Naudojimas (paveikslukas: 1, 10)

1. Paspaudus mygtuką „on / off“, kaitinimo elementas įjungiamas / išjungiamas.
2. Paspaudus klavišą „+“, pereinama į temperatūros, kurią turėtų pasiekti regentas gyvatuke.
3. Paspaudus klavišą „-“, pereinama į temperatūros, kurią turėtų pasiekti regentas gyvatuke.
4. Esant temperatūros parinkčių režimui, LED rodo šią būseną.
5. Paspaudus ir palaikius mygtuką „+“ maždaug 3 sek., paleidžiamas „TURBO“ laikmatis. Kaitinimo elementas pradeda kaitinti radiatoriaus regentą iki maksimalios temperatūros ir palaikyti ją per 2 valandas. Praėjus šiam laikui, valdymo blokas sugrąžina temperatūros parinktį iki laikmačio paleidimo momento
6. Paspaudus ir palaikius mygtuką „-“ maždaug 3 sek., paleidžiamas „START/STOP“ laikmatis kaitinimo elementas pradeda kaitinti radiatoriaus regentą iki maksimalios temperatūros ir palaikyti ją per 2 valandas. Po šio laiko valdymo blokas išjungia kaitintuvą.
7. Kai įjungti laikmačiai, paspaudus mygtuką „on/off“, ištrinamos laikmačio parinktys ir išjungiamas kaitintuvas.
8. Funkcija „ANTIFREEZE“. Kai kaitinimo elementas įjungtas į tinklą, bet išjungtas valdymas, o šildymo regento temperatūra nukrinta žemiau 6°C, kaitinimo elementas pradeda režimą, kuriuo šildo regentą, kad šis neužšaltų – cikliška pašildo regentą iki 40°C temperatūros ir valdymas perjungiamas į budėjimo režimą. Valdymas šildo regentą pirmiau minėtu būdu tol, kol regento temperatūra nenukrinta žemiau 6°C temperatūros.

**DĖMESIO!** Kad funkcija „ANTIFREEZE“ veiktų tinkamai, neištraukti kištuko iš maitinimo lizdo.

Šildyklės valdymas suprojektuotas pagal „Ultra-Low-Power“ technologiją, todėl budėjimo režimu suvartojama labai mažai srovės.

## 9. Kaitintuvo veikimo būsenų atvaizdavimas. (paveikslukas: 10)

**A**

LED2, 3, 4, 5 – rodo parinkties arba esamos šildymo temperatūros lygį (atitinkamai 30, 40, 50, 60°C),

**B**

LED1 – rodo kaitinimo elemento veikimo būseną (šildymas, parinktas, laikmatis, „antifreeze“, gedimas)

LED indikatorius būsena	Kaitintuvo valdiklio veikimo būsena
LED1 – ištisinė raudona	Šildyklė šildo taip, kaip rodo kiti LED
LED1 – ištisinė mėlyna LED2 – ištisinė raudona	Funkcija „ANTIFREEZE“
LED1 – ištisinė mėlyna LED2 iki 5 – prislopinta ištisinė raudona	Šildymo lygio parinkties būsena
LED1 – ištisinė raudona LED2 iki 5 – šviesėjanti ištisinė raudona	Kaitintuvą kaista iki nustatyto lygio. Kai LED2 iki 5 dega ištisai, reiškia, kad pasiekti eiliniai temperatūros lygiai. Pasiekus nustatytą temperatūrą, visi LED dega ištisai.
LED1 – ištisinė raudona LED2 iki 5 – gėstanti raudona	Kaitintuvą vėsta, vadinasi, parinkta temperatūra yra žemesnė nei esama.
LED1 – pakaitomis mirksi raudona / mėlyna	Valdymo problema nuskaitant temperatūrą iš jutiklio – aliarmo būsena
LED1 – ištisinė violetinė	Laikmatis „TURBO“ – įjungta džiovyklės funkcija
LED1 – mirganti violetinė	Laikmatis „START/STOP“ – įjungta džiovyklės funkcija

10. Atnaujinus dingusios tinklo įtampas tiekimas (maitinimo tinklo gedimo atveju arba ištraukus maitinimo kištuką), kai valdymas įjungtas, kaitinimo elementas pradeda veikti taip, kaip veikė iki dingus maitinimui.

11. Kaitinimo elementas pritaikytas veikti su standartiniu laikmačiu.

## Kaitinimo elemento išmontavimas

1. Mygtuku išjungti kaitintuvą ir ištraukti kištuką iš tinklo maitinimo lizdo.
2. Elektriniame radiatoriuje – išmontuoti rankšluosčių džiovituvą kartu su kaitinimo elementu apversti gyvatuką aukštyn kojomis. Nebūtina išpilti šildymo regento.
3. Prie centrinio šildymo tinklo radiatoriuje užsukti tiekimo ir grįžimo dalių vožtuvus. Išpilti šildymo regentą iš gyvatuko.
4. Išsukti kaitintuvą iš gyvatuko lizdo 22 raktu. Draudžiama įsukti (išsukti) šildyklę, jeigu ji laikoma už korpuso. Tai gresia prietaiso sugadinimu.

## Priežiūra

Valant būtina išjungti kaitinimo elementą iš maitinimo. Taip pat neleisti užlieti prietaiso valdymo bloką.

Valyti minkštu skudurėliu arba kempine. Nenaudoti šerdinančių ir šveičiamųjų valiklių bei aštrių daiktų – padės apsaugoti apdailos dangą.

- lakuotus paviršius plauti šiltu vandeniu su trupučiu švelnių valiklių,
- chromuotus paviršius valyti jiems skirtais preparatais.

## Utilizavimas

Baigus naudoti prietaisą draudžiama gaminį mesti į buities atliekas. Prietaisui taikomi specialūs reikalavimai dėl elektros ir elektronikos atliekų tvarkymo. Prietaisą pristatyti į elektros ir elektronikos įrangos atliekų surinkimo ir perdirbimo vietą. Informaciją apie panaudotų prietaisų šalinimo vietas teikia pardavimo vietas arba gamintojas.

## Laikydami tinkamų utilizavimo taisyklių prisidedate prie aplinkos apsaugos.

## Garantijos sąlygos

1. Garantijos dalykas yra „HeatQ Technology sp. z o.o.“ gaminamas ir toliau šioje instrukcijoje aprašomas gaminys.
2. Garantijos laikotarpis yra 24 mėnesiai nuo pirkimo datos, bet ne ilgiau nei 36 mėnesiai nuo pagaminimo datos. Pagaminimo datą galima nustatyti pagal serijos numerį, kuris nurodomas galinėje korpuso dalyje.
3. Pagrindas teikti garantinius reikalavimus – gaminio pirkimo dokumentas. Neturint šio dokumento, gamintojas turi teisę atmesti reklamaciją.
4. Klientas, atsiimdamas perkamą prietaisą, patvirtina, kad prietaisas yra visiškai tinkamas. Jeigu klientas nepateikia pastabų dėl gaminio, ypač korpuso apdailos paviršių kokybės, laikoma, kad gaminys išduotas be defektų.
5. Šildymo tinkle turi būti įrengti uždaramieji vožtuvai, kad būtų galima išmontuoti gyvatuką (rankšluosčių džiovintuvą, kaitinimo elementą), neardant viso centrinio šildymo tinklo su šildymo regentu. Gamintojas neatsako už problemas ir išlaidas, atsiradusias dėl netinkamai įrengto šildymo tinklo.
6. Garantija netaikoma pažeidimams, atsiradusiems dėl netinkamo prietaiso montavimo (išmontavimo) ir naudojimo. Prašome atidžiai susipažinti su šia instrukcija, kuri yra neatskiriama garantijos dalis, prieš pradėdami naudoti prietaisą.
7. Gamintojui suteikiama 14 dienų nuo netinkamo gaminio pristatymo į gamintojo buveinę atlikti ekspertizę ir suremontuoti netinkamą gaminį.
8. Jeigu nėra galimybių suremontuoti prietaisą, gamintojas įsipareigoja pristatyti naują tokių pačių parametrų gaminį.

# Руководство по эксплуатации

## Электрический нагреватель с электронным блоком управления

Поздравляем Вас с выбором изделий HeatQ Technology Sp. z o. o Наши изделия разработаны и произведены в соответствии с действующими требованиями. Ознакомьтесь с руководством, чтобы наслаждаться бесперебойной работой прибора. Сохраните руководство или в любое время скачайте его с сайта производителя: [www.heatq.com](http://www.heatq.com)

### Требования безопасности – установка нагревателя (рисунок: 2, 4)

1. Нагреватель следует устанавливать в соответствии с рекомендациями производителя, изложенными в данном руководстве.
2. Установка нагревателя должен выполнять только установщик с соответствующими разрешениями, подключая прибор только к правильно выполненной электрической системе – проверьте номинальные данные устройства.
3. Требования безопасности определяют допустимое местоположение и расстояние от влажных мест - включая раковину, душ, ванну - для защиты от риска поражения электрическим током.
4. Любой вид электрической системы, к которой подключен прибор, должен соответствовать соответствующим нормам, действующим в данном регионе.
5. Необходимо обеспечить, чтобы питающая нагреватель цепь в электрической системе была оснащена автоматическим выключателем и УДТ с чувствительностью 30 мА.
6. Для питания нагревателя не используйте никаких переходников и удлинителей.
7. Если прибор не оснащен средствами для отсоединения от источника питания, имеющими размыкающиеся контакты на всех полюсах, обеспечивающими полное отключение, или вилкой на шнуре питания, необходимо установить такой выключатель в электрической системе в соответствии с правилами, касающимися такой системы.
8. Не включайте нагреватель вне полотенцесушителя, заполненного теплоносителем – "всухую" – на время более 2 секунд.
9. Не используйте нагреватель в системе, в которой температура теплоносителя может превысить 82°C – превышение этой температуры может привести к повреждению термической защиты.
10. Обеспечьте, чтобы после установки нагревателя его шнур питания не касался горячих частей нагревателя или полотенцесушителя.
11. Категорически запрещается включать нагреватель в пустом полотенцесушителе!
12. Давление в полотенцесушителе с установленным нагревателем не может превышать 10 атм.
13. Мощность нагревателя не может превышать мощности полотенцесушителя, работающего при параметрах 75/65/20°C.
14. В процессе установки или демонтажа прибор не может находиться под напряжением, следует отключить его от источника питания.
15. Прибор предназначен для домашнего использования.

### Требования безопасности - использование нагревателя

1. Изделие следует использовать исключительно с целью, для которой оно было предусмотрено производителем.
2. Прибор не является игрушкой
3. Проводите регулярную проверку прибора для обеспечения его безопасного использования.
4. Если неразъемный шнур питания испортился, прибор непригоден для использования. Отсоедините прибор от источника питания. Поврежденный шнур питания может быть заменен производителем или сотрудником сервисного центра, чтобы избежать опасности.
5. Производитель не несет ответственности за последствия, возникшие в результате самостоятельного вмешательства в блок управления и конструктивные изменения, внесенные в нагреватель посторонними лицами.
6. Не допускайте затопления блока питания нагревателя.
7. Данное оборудование может использоваться детьми старше 8 лет и людьми с ограниченными физическими, умственными возможностями и людьми не имеющими опыта и знаний, касающихся оборудования, если будет обеспечен присмотр и инструктаж, касающийся использования оборудования безопасным способом, так, чтобы связанные с ним угрозы были понятны. Дети не должны играть с оборудованием. Дети без присмотра не должны выполнять очистку и техническое обслуживание оборудования.

8. Очистку устройства выполняйте только при отключенном питании.
9. Нагреватель с полотенцесушителем может нагреваться до высоких температур – соблюдайте осторожность при контакте с приборами.

### Электрический полотенцесушитель (рисунок: 2, 3, 8, 9)

Правила безопасной установки и использования - информационный материал

1. Используйте прибор по назначению.
2. Электрический полотенцесушитель - это не игрушка.
3. Полотенцесушитель должен быть установлен на стене в соответствии с рекомендациями его производителя.
4. В целях повышения безопасности, для маленьких детей установите полотенцесушитель так, чтобы его нижняя часть находилась на высоте не менее 60 см от пола.
5. Полотенцесушитель может быть очень горячим и может вызвать ожоги. Соблюдайте особую осторожность в присутствии детей или людей с ограниченными возможностями.
6. В случае сушки полотенца и/или одежды, убедитесь, что используемые моющие средства и сушащиеся вещи не имеют противопоказаний для сушки при высоких температурах.
7. Для электропитания полотенцесушителя не используйте никаких переходников и удлинителей.
8. Установка устройства должна выполняться квалифицированным установщиком в соответствии с применимыми правилами техники безопасности, а все системы, к которым подключен прибор, должны соответствовать нормам, действующим в данном регионе.
9. Необходимо обеспечить, чтобы питающая нагреватель цепь в электрической системе была оснащена автоматическим выключателем и УДТ с чувствительностью 30 мА.
10. Если прибор не оснащен средствами для отсоединения от источника питания, имеющими размыкающиеся контакты на всех полюсах, обеспечивающими полное отключение, или вилкой на шнуре питания, необходимо установить такой выключатель в электрической системе в соответствии с правилами, касающимися такой системы.

### Назначение (рисунок: 1, 6, 7)

Правильно подобранный нагреватель - это электрический нагревательный прибор, который является только компонентом полотенцесушителя. Нагреватель должен быть установлен в полотенцесушителе (автономный водонагреватель или подключенный к системе ц.о.), на котором можно сушить полотенца и/или одежду.

Нагреватель не оснащен регулятором температуры в помещении.

### Технические характеристики

Тип:	HEC1.0.A - прямая кабель с вилкой HEC1.0.B - спиральный кабель с вилкой HEC1.0.C - скрытый кабель
Питание:	~230 В пер. тока, 50 Гц
Класс изоляции:	I
Мощность:	120, 200, 300, 400, 500, 600, 800, 1000, 1200 Вт
Степень защиты корпуса:	IPx4
Тип электрического разъема:	Y (шнур питания является неразъемным для пользователя –шнур питания может быть заменен только производителем) <b>прибор неразъемно подключен к системе</b>
Резьбовое соединение:	1/2"

### Устройство (рисунок: 1)

1. Нагревательный элемент
2. Корпус блока управления
3. Выключатель (on/off)
4. Регулировка температуры „вниз”
5. Регулировка температуры „вверх”
6. Светодиодный индикатор
7. Шнур питания

## Установка

### (рисунок: 2, 3, 4, 5, 6, 7, 8, 9)

Перед установкой убедитесь, что нагреватель не подключен к сети. Нагреватель не следует включать «всухую» – это грозит ожогами и повреждением термической защиты. Убедитесь, что в полотенцесушителе есть вода (другой теплоноситель), прежде чем включать нагреватель.

- К нижнему отверстию полотенцесушителя или через вкрученный заранее клапан / тройник винтите нагреватель. Нельзя ввинчивать нагреватель, держа его за корпус.
- Ввинчивать нагреватель следует плоским ключом 22мм с достаточной силой для того, чтобы получить достаточную герметичность.
- Поверните корпус нагревателя в нужном направлении, чтобы установить нужное для пользователя положение фронта блока управления – его можно поворачивать на угол 330°. Диапазон вращения ограничен оштумпленным багнетом – если не получилось установить блок управления, поворачивая его в одну сторону, то попробуйте в обратном направлении.
- Дополните в полотенцесушителе теплоноситель до соответствующего уровня, указанного производителем полотенцесушителя. В электрическом полотенцесушителе обеспечьте воздушную подушку, а в полотенцесушителе, подключенном к ц.о., оставьте один клапан открытым, чтобы не допустить роста давления в результате теплового расширения теплоносителя.  
Помните, чтобы полотенцесушитель не заполнять на 100% его емкости. Слишком много теплоносителя и его высокая температура в закрытом полотенцесушителе может привести к повышению давления выше допустимых значений, указанных производителем полотенцесушителя. Такое состояние может вызвать угрозу для здоровья, жизни или имущества. Максимальное давление для нагревателя - это 10 атм.
- Не заполняйте полотенцесушитель теплоносителем с температурой выше, чем 82°C – это может повредить термозащиту. Нагреватель имеет термозащиту одностороннего действия (невозвратимую), которая сработает, если плавкий предохранитель, размещенный в трубке возле нагревательного элемента, нагреется до температуры выше 82°C. В результате этого блок управления нагревателя будет работать, но нагреватель не будет нагреваться – для восстановления полной работоспособности устройства требуется вмешательство квалифицированного сервиса производителя.
- После проверки герметичности можно подключить нагреватель к электросети - при этом убедитесь, что напряжение в домашней электросети соответствует напряжению на паспортной табличке изделия. Подключайте нагреватель только к розетке со штырем заземления (провод PE). Кроме того, проверьте, не поврежден ли прибор - особенно это касается электрических компонентов, таких как изоляция проводов, вилки и т. д.
- Подключите прибор неразрушительно к системе, следуйте следующим рекомендациям:
  - Коричневая изоляция провода – фазный провод (L),
  - Синяя изоляция кабеля – нулевой провод (N),
  - Желто-зеленая изоляция кабеля – заземляющий провод (PE)
- Полотенцесушитель с нагревателем в системе ц. о. должен иметь запорные клапаны на входе и возврате для возможного демонтажа.

## Функциональность (рисунок: 1, 10)

- Регулировка температуры теплоносителя с помощью кнопок „+“ и „-“. Уровни нагрева: 30, 40, 50, 60°C.
- Функция сущилки с максимальной мощностью нагрева с двумя режимами работы:
  - таймер „TURBO“ – через 2 часа возврат к предыдущей настройке,
  - таймер „START/STOP“ – через 2 часа отключение нагревателя,.
- Возможность поворота блока управления на угол 330°.
- Интеллектуальный контроль работы – микропроцессорное управление.
- Интеллектуальная визуализация режимов работы: нагрев, настройки, таймер, авария – цветная светодиодная технология.
- Защита от замерзания теплоносителя – функция Антифриз.
- Двухступенчатая тепловая защита:
  - регулятор блока управления не позволяет повышаться температуре более 60°C,
  - плавкий предохранитель отключает питание в момент неконтролируемого повышения температуры в случае повреждения регулятора или датчика температуры.

8. Низкое потребление энергии во время „работы“, благодаря современной электронике, и во время „ожидания“ благодаря использованию электроники, изготовленной по технологии Ultra-Low-Power.

## Обслуживание (рисунок: 1, 10)

- Нажатие клавиши „on/off“ приводит к включению / выключению нагревателя.
- Нажатие клавиши „+“ приводит к входу в режим настройки температуры, до которой должен нагреться теплоноситель в полотенцесушителе.
- Нажатие клавиши „-“, приводит к входу в режим настройки температуры, до которой должен нагреться теплоноситель в полотенцесушителе.
- Во время режима настройки температуры светодиодный индикатор сигнализирует это состояние.
- Нажатие и удержание кнопки „+“ в течение примерно 3с приводит к включению таймера „TURBO“. Нагреватель начнет нагревать теплоноситель нагревателя до максимальной температуры и удерживать его в течение 2 часов. По истечении этого времени блок управления вернется к настройке температуры до включения таймера.
- Нажатие и удержание кнопки „-“ в течение примерно 3с приводит к включению таймера „START/STOP“. Нагреватель начнет нагревать теплоноситель нагревателя до максимальной температуры и удерживать его в течение 2 часов. По истечении этого времени блок управления отключит нагреватель.
- Когда таймеры включены, нажатие кнопки „on/off“ приводит к удалению настройки таймера и выключению нагревателя.
- Функция АНТИФРИЗ. Когда нагреватель подключен к сети, но выключено управление, а температура теплоносителя упадет ниже температуры 6°C, нагреватель войдет в состояние, в котором будет нагревать теплоноситель, чтобы он не замерз – это заключается в периодическом нагреве теплоносителя до температуры 40°C и переходе управления в режим ожидания. Управление будет подогревать теплоноситель указанным выше способом до тех пор, пока температура теплоносителя не упадет ниже температуры 6°C.  
**ВНИМАНИЕ!** Для того, чтобы функция АНТИФРИЗ работала исправно, не вынимайте вилку из розетки.  
Управление нагревателя разработано в технологии Ultra-Low-Power, что означает очень низкое потребление тока также в режиме ожидания.
- Визуализация рабочих состояний нагревателя (рисунок: 10)



LED2, 3, 4, 5 – указывают уровень настройки или текущей температуры нагрева (соответственно 30, 40, 50, 60°C)



LED1 – указывает рабочее состояние нагревателя (нагревание, настройка, таймер, антифриз, авария)

Состояние светодиодного индикатора	Рабочее состояние нагревателя
LED1 – непрерывный красный	Нагреватель нагревается до уровня, указанного другими индикаторами
LED1 – непрерывный синий LED2 – непрерывный красный	Функция АНТИФРИЗ
LED1 – непрерывный синий LED2 до 5 – непрерывный красный тусклый	Состояние настройки уровня нагрева
LED1 – непрерывный красный LED2 до 5 – красный просветляющийся	Нагреватель нагревается до установленного уровня. LED2 до 5 светящиеся непрерывным светом - достижение опережных уровней температуры. По достижении заданной температуры все светодиоды горят непрерывным светом.

LED1 – непрерывный красный LED2 до 5 – красный потухающий	Нагреватель остывает, что означает, что температура настройки ниже чем текущая.
LED1 – красный / синий попеременно	Проблема управления со считывания температуры с датчика - состояние тревоги
LED1 – фиолетовый непрерывный	Таймер „TURBO“ – включена функция сушки
LED1 – фиолетовый мигающий	Таймер „START/STOP“ – включена функция сушки

## Условия гарантии

10. Нагреватель после включения тока после его отключения (авария в электрической сети или отсоединение вилки) при включенном управлении начинает работу в том состоянии, в котором нагреватель был до того, как отключился ток.
11. Нагреватель предназначен для работы со стандартным таймером.

## Демонтаж нагревателя

1. Выключите нагреватель кнопкой и выньте вилку из розетки.
2. В электрическом полотенцесушителе – снимите его вместе с нагревателем, поверните нагревателем вверх. Не нужно удалять теплоноситель.
3. В полотенцесушителе, подключенном к системе ц.о. закройте клапаны на подаче и возврате. Удалите теплоноситель из полотенцесушителя.
4. Вывинтите нагреватель из разъема полотенцесушителя с помощью гаечного ключа 22. Нельзя винчивать / вывинчивать нагреватель, держа за корпус. Это грозит повреждением прибора.

## Уход

Во время чистки отключите нагреватель от источника питания. Также не допускайте до заливания блока управления прибора.

Для чистки используйте мягкие салфетки или губки. Ни в коем случае не используйте коррозионные и абразивные чистящие средства и острые предметы – во избежание повреждения декоративного покрытия.

- окрашенные поверхности следует мыть теплой водой с добавлением мягких чистящих средств,
- хромированные поверхности следует чистить при помощи средств, предназначенных для этого.

## Утилизация

После окончания срока службы не выбрасывайте изделие вместе с бытовыми отходами. Прибор следует утилизировать в соответствии со специальными требованиями, касающимися утилизации электрических и электронных изделий. Отдайте прибор в пункт сбора и переработки электрического и электронного оборудования. Информацию о соответствующем пункте сбора использованного оборудования вам предоставит торговая точка или производитель прибора.

**Действуя в соответствии с правилами  
правильной утилизации, Вы внесете  
собственный вклад в защиту окружающей  
среды.**

