

PRODUCT CARD NEX APP WITH SPIRAL AND STRAIGHT CABLE



Producer:

HeatQ Technology Sp. z o.o.

80-017 Gdańsk Trakt Św. Wojciecha 223/225

Tel.: +48 585 805 104/+48 691 209 888

www.heatq.com e-mail: biuro@heatq.com

HEATQ
— TECHNOLOGY

INTENDED USE

Electric heating elements with controller, radio communication 868 MHz and Bluetooth module. Radiator equipped with the electric heating element with NEX thermostat performs function of electric dryer, space heater or hybrid combining to the electric dryer and standard radiator connected to the central heating. Due to intuitive operation the device programming is simply and user-friendly, including the operation of mobile application HeatME available on App Store and Google Play.

TYPES OF CONNECTION

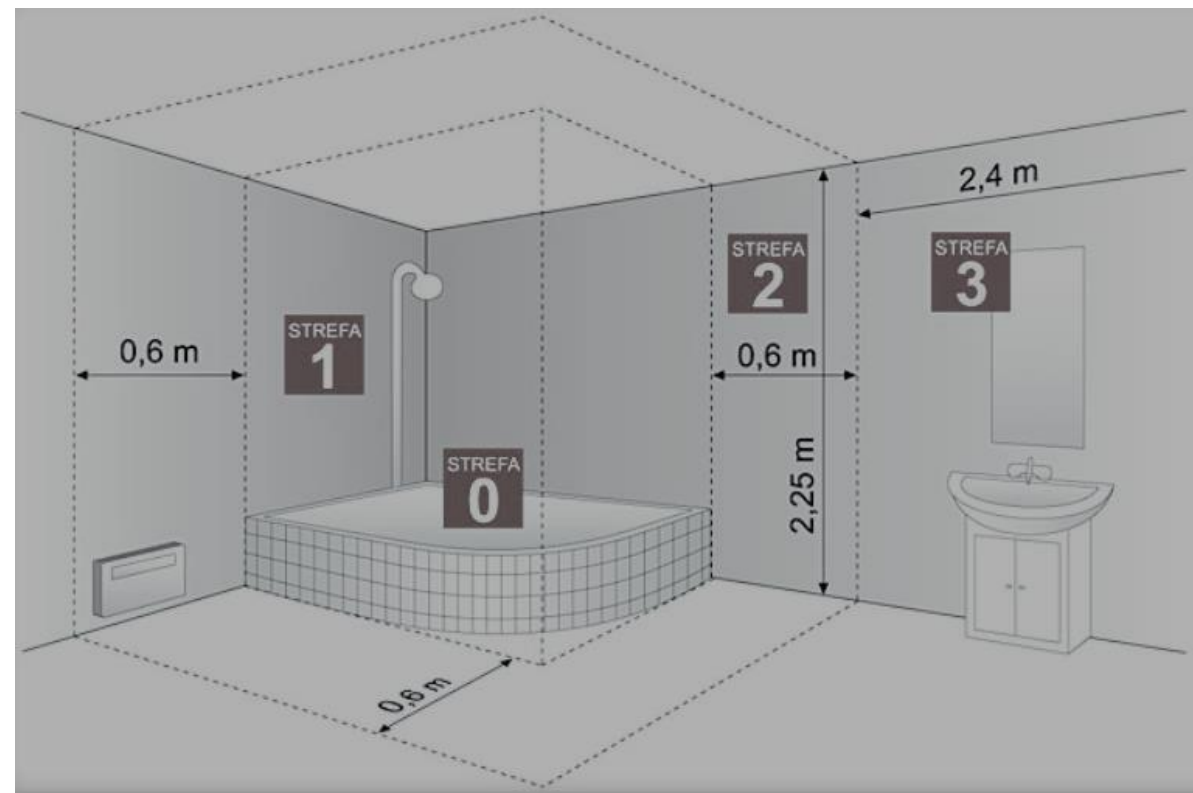
- Spiral cable
- Straight cable

COLOURS OF THERMOSTATS:

- Chrome, White, Black, Silver

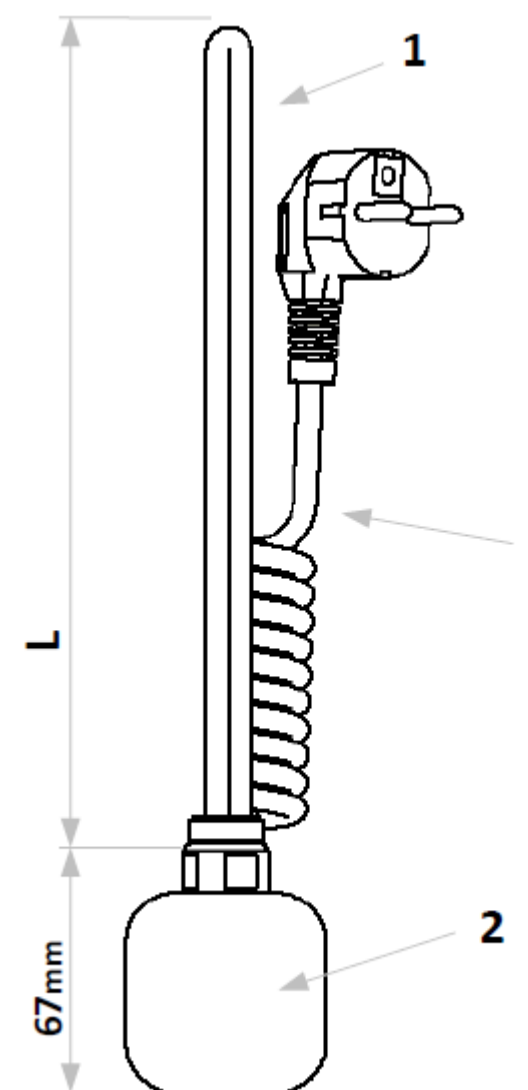
TECHNICAL PARAMETERS

- Nominal voltage: 230V, 50Hz
- Insulation class: Class I
- Ingress protection class: IPX5 (ZONE 2 i 3)
- Power: 120W, 200W, 300W, 400W, 500W, 600W, 800W, 1000W, 1200W



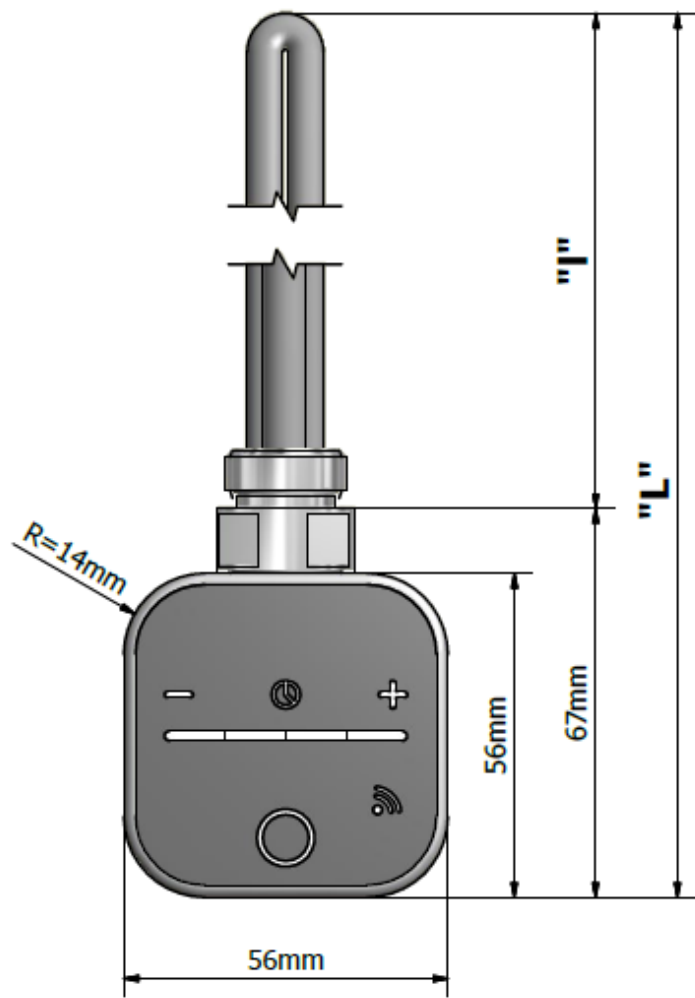
Source: NORM PN-EN 60529:2003

DIMENSION AND WEIGHT			
Power	Weight	Lenght "l"	Lenght "L"
120W	0,40kg	310 mm	377mm
200W	0,39kg	270mm	327mm
300W	0,40kg	295mm	362mm
400W	0,41kg	330mm	397mm
500W	0,42kg	345mm	412mm
600W	0,42kg	360mm	427mm
800W	0,45kg	470mm	537mm
1000W	0,48kg	560mm	627mm
1200W	0,49kg	565 mm	637mm

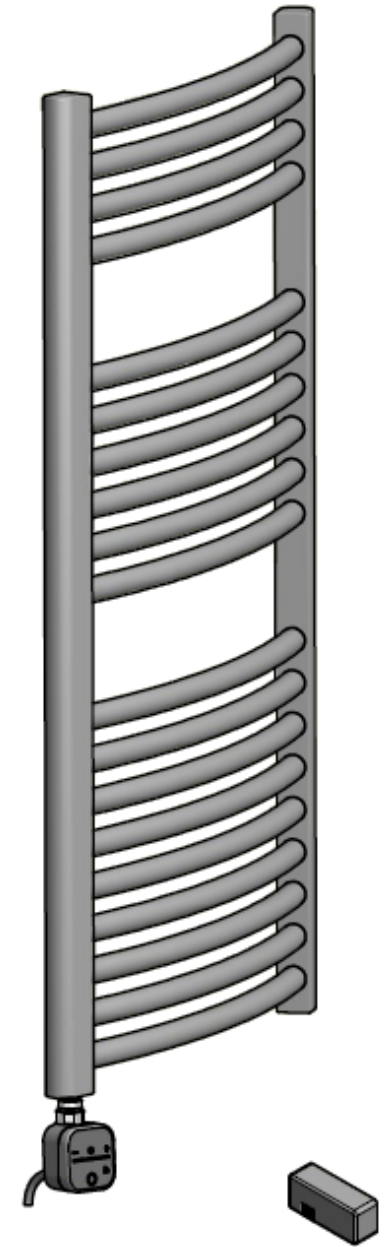
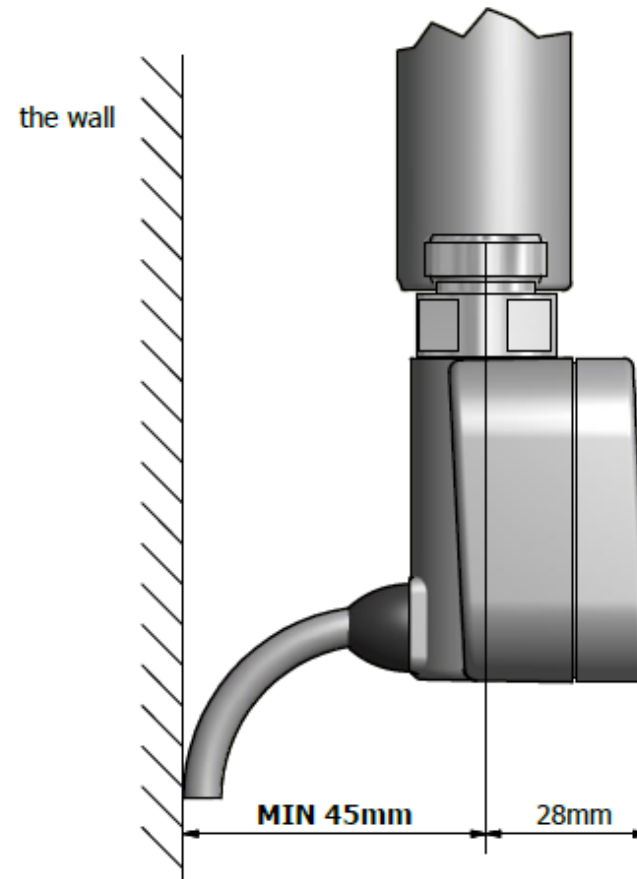
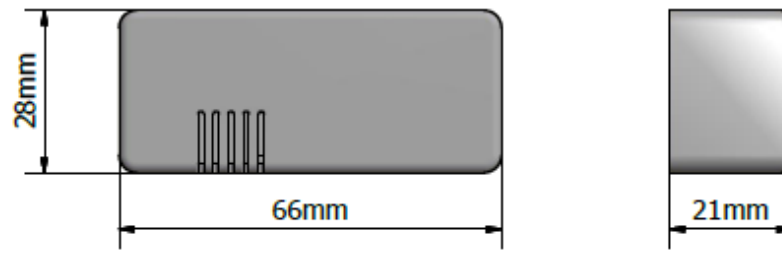


1. Heating element
2. Moulding
3. Power cable

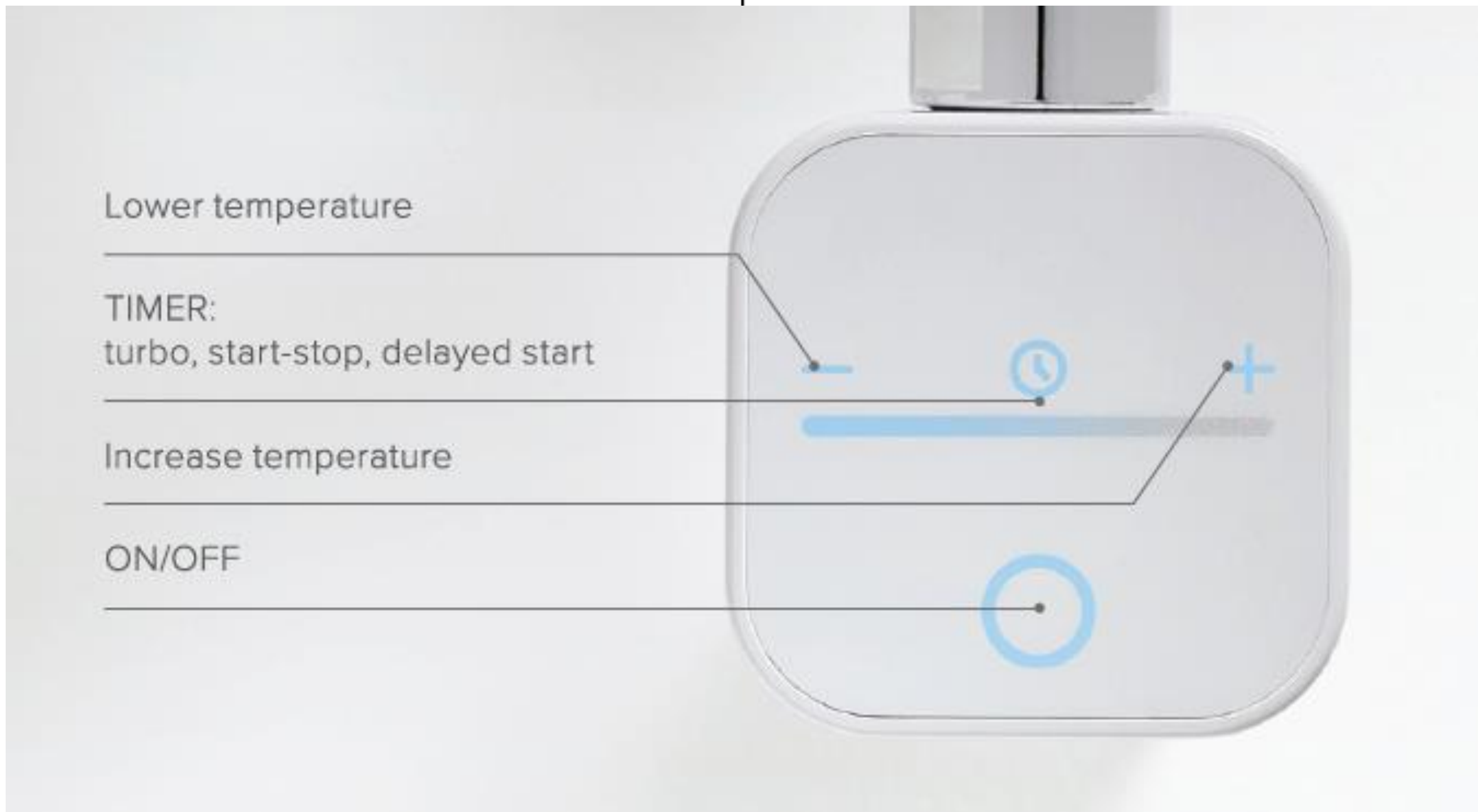
NEX1.0 - with straight/spiral cable



DATA NEX1.0			
Power	Weight	Length "I"	Length "L"
200W	0,39kg	270mm	327mm
300W	0,40kg	295mm	362mm
400W	0,41kg	330mm	397mm
500W	0,42kg	345mm	412mm
600W	0,42kg	360mm	427mm
800W	0,45kg	470mm	537mm
1000W	0,48kg	560mm	627mm



Zaprojektowany przez HeatQ TECHNOLOGY Sp. z o.o.	Sprawdzony przez	Zatwierdzony przez	Data	Data	
				2018-11-29	
HeatQ TECHNOLOGY Sp. z o.o.			NEX1.0 dimensions		
			HQT_NEX- cable_dimensions_01	Wydanie	Arkusz
					1 / 1



FUNCTIONALITY OF THE NEX APP

- Timer turbo, start-stop, delay
- Rooms temperature sensor
- Open door/window sensor
- ANTIFREEZE mode
- Three – level overheating protection
- Temperature regulation
- Daily and weekly work schedule
- Energy consumption meter
- Ultra-Low-Power mode
- Intelligent technology of working system - microprocessor control
- Visualisation in LED technology
- Possibility of rotates controller from 0° to 330°
- Temperature regulation from 30° to 60°C
- Parental control
- Free application HeatME for IOS and Android

INDEX

Product	Name	Logo	Type of connection			Colours of thermostats	Power	Package	Option	
P - Product	NX1 – ELECTRIC HEATING ELEMENTS NEX	HQ - HeatQ	SCW	spiral	plug	white	WX - white	22 - 120W	B - carton	RXX – radio 868 MHz
			SCB	spiral	plug	black	BX - black	02 - 200W	O – eco decorative packaging	RBX – radio 868MHz + Bluetooth
			SCS	spiral	plug	silver	CX - chrome	03 - 300W		RBT - radio 868MHz + Bluetooth + temperature sensor
			PCW	straight	plug	white	SX - silver	04 - 400W		RBW - radio 868MHz + Bluetooth + open window sensor
			PCB	straight	plug	black	BO – black matt	06 - 600W		RBZ - radio 868MHz + Bluetooth + open window sensor + room temperature sensor
			SXW	spiral	Without plug	white		08 - 800W		
			SXB	spiral	Without plug	Black		10 - 1000W		
			SXS	spiral	Without plug	silver		0C - 1200W		
			PXW	straight	Without plug	white				
			PXB	straight	Without plug	black				
			PXS	straight	Without plug	silver				
			HID	cover						

Example of index: PNX1HQHIDSX03B

P – PRODUCT

NX1 – ELECTRIC HEATING ELEMENT NEX

HQ – LOGO HEATQ

SCS – SPIRAL CABLE

SX – COLOR OF THERMOSTAT CHROME

03 – POWER 300 W

B – CARTON

Producer:

HeatQ Technology Sp. z o.o.

80-017 Gdańsk, Trakt Św. Wojciecha 223/225

Tel.: +48 585 805 104/+48 691 209 888

www.heatq.com e-mail: biuro@heatq.com

Date: 05.03.2020 r.

Prepared by: Natalia Woźniak

HEATQ
— TECHNOLOGY