

PRODUCT CARD NEX APP WITH COVER CABLE



Producer:

HeatQ Technology Sp. z o.o.

80-017 Gdańsk Trakt Św. Wojciecha 223/225

Tel.: +48 585 805 104/+48 691 209 888

www.heatq.com e-mail: biuro@heatq.com

HEATQ
— TECHNOLOGY

INTENDED USE

Electric heating elements with controller, radio communication 868 MHz and Bluetooth module. Radiator equipped with the electric heating element with NEX thermostat performs function of electric dryer, space heater or hybrid combining to the electric dryer and standard radiator connected to the central heating. Due to intuitive operation the device programming is simply and user-friendly, including the operation of mobile application HeatME available on App Store and Google Play.

TYPES OF CONNECTION

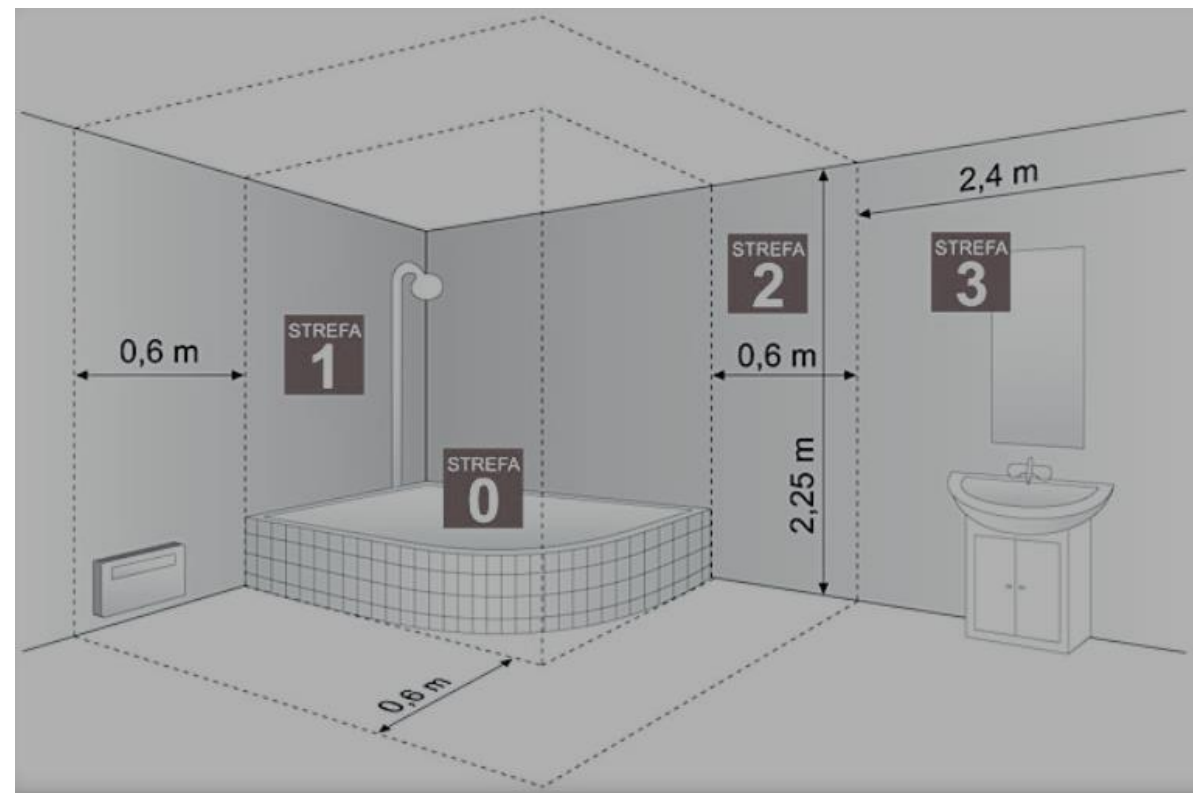
- Cover cable

COLOURS OF THERMOSTATS:

- Chrome, White, Black, Silver

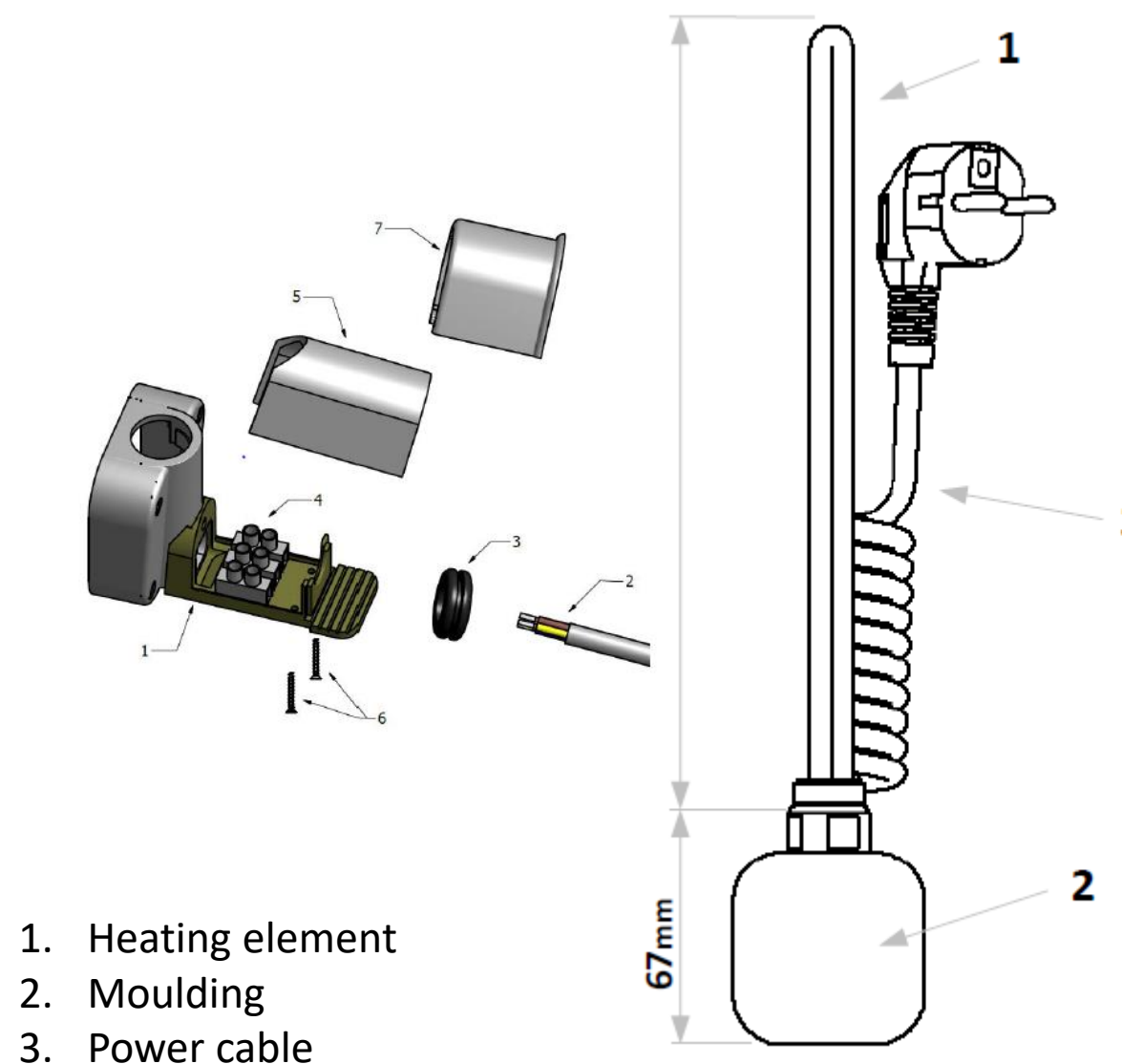
TECHNICAL PARAMETERS

- Nominal voltage: 230V, 50Hz
- Insulation class: Class I
- Ingress protection class: IPX5 (ZONE 2 i 3)
- Power: 120W, 200W, 300W, 400W, 500W, 600W, 800W, 1000W, 1200W



Source: NORM PN-EN 60529:2003

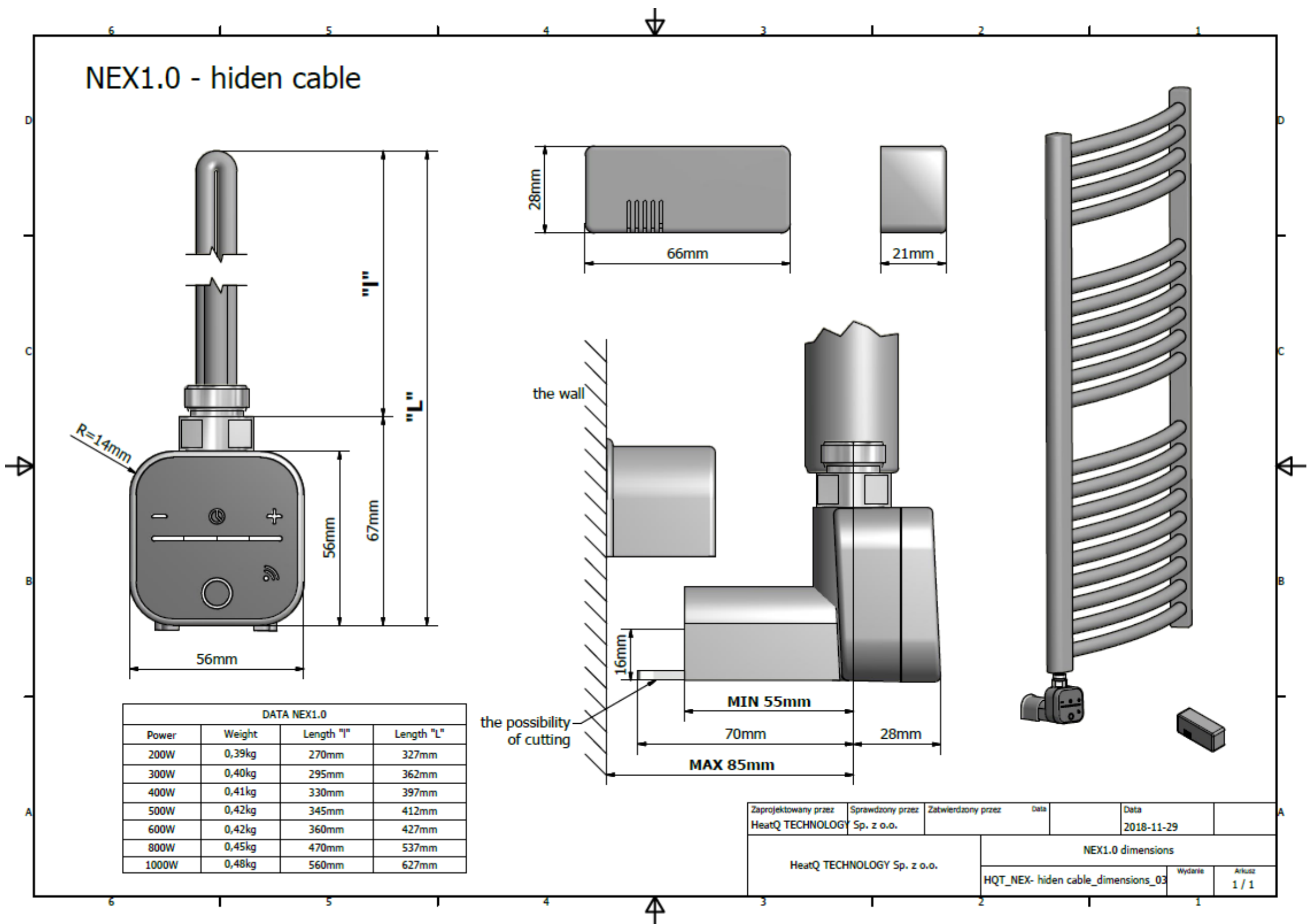
| DIMENSION AND WEIGHT | | | |
|----------------------|--------|------------|------------|
| Power | Weight | Lenght "l" | Lenght "L" |
| 120W | 0,40kg | 310 mm | 377mm |
| 200W | 0,39kg | 270mm | 327mm |
| 300W | 0,40kg | 295mm | 362mm |
| 400W | 0,41kg | 330mm | 397mm |
| 500W | 0,42kg | 345mm | 412mm |
| 600W | 0,42kg | 360mm | 427mm |
| 800W | 0,45kg | 470mm | 537mm |
| 1000W | 0,48kg | 560mm | 627mm |
| 1200W | 0,49kg | 565 mm | 637mm |



1. Heating element
2. Moulding
3. Power cable

HEATO
TECHNOLOGY

NEX1.0 - hidden cable



Lower temperature

TIMER:
turbo, start-stop, delayed start

Increase temperature

ON/OFF



FUNCTIONALITY OF THE NEX APP

- Timer turbo, start-stop, delay
- Rooms temperature sensor
- Open door/window sensor
- ANTIFREEZE mode
- Three – level overheating protection
- Temperature regulation
- Daily and weekly work schedule
- Energy consumption meter
- Ultra-Low-Power mode
- Intelligent technology of working system - microprocessor control
- Visualisation in LED technology
- Possibility of rotates controller from 0° to 330°
- Temperature regulation from 30° to 60°C
- Parental control
- Free application HeatME for IOS and Android

INDEX

| Product | Name | Logo | Type of connection | | | Colours of thermostats | Power | Package | Option | |
|-------------|-------------------------------------|------------|--------------------|----------|--------------|------------------------|-----------------|------------|------------------------------|---|
| P - Product | NX1 – ELECTRIC HEATING ELEMENTS NEX | HQ - HeatQ | SCW | spiral | plug | white | WX - white | 22 - 120W | B - carton | RXX – radio 868 MHz |
| | | | SCB | spiral | plug | black | BX - black | 02 - 200W | O – eco decorative packaging | RBX – radio 868MHz + Bluetooth |
| | | | SCS | spiral | plug | silver | CX - chrome | 03 - 300W | | RBT - radio 868MHz + Bluetooth + temperature sensor |
| | | | PCW | straight | plug | white | SX - silver | 04 - 400W | | RBW - radio 868MHz + Bluetooth + open window sensor |
| | | | PCB | straight | plug | black | BO – black matt | 06 - 600W | | RBZ - radio 868MHz + Bluetooth + open window sensor + room temperature sensor |
| | | | SXW | spiral | Without plug | white | | 08 - 800W | | |
| | | | SXB | spiral | Without plug | Black | | 10 - 1000W | | |
| | | | SXS | spiral | Without plug | silver | | 0C - 1200W | | |
| | | | PXW | straight | Without plug | white | | | | |
| | | | PXB | straight | Without plug | black | | | | |
| | | | PXS | straight | Without plug | silver | | | | |
| | | | HID | cover | | | | | | |

Example of index: PNX1HQHIDSX03B

P – PRODUCT

NX1 – ELECTRIC HEATING ELEMENT NEX

HQ – LOGO HEATQ

HID – COVER CABLE

SX – COLOR OF THERMOSTAT CHROME

03 – POWER 300 W

B – CARTON

Producer:

HeatQ Technology Sp. z o.o.

80-017 Gdańsk, Trakt Św. Wojciecha 223/225

Tel.: +48 585 805 104/+48 691 209 888

www.heatq.com e-mail: biuro@heatq.com

Date: 05.03.2020 r.

Prepared by: Natalia Woźniak

HEATQ
— TECHNOLOGY