

PRODUCT CARD NEX WITH COVER CABLE



Producer:

HeatQ Technology Sp. z o.o.

80-017 Gdańsk Trakt Św. Wojciecha 223/225

Tel.: +48 585 805 104/+48 691 209 888

www.heatq.com e-mail: biuro@heatq.com

HEATQ
— TECHNOLOGY

INTENDED USE

Electric heating element NEX with microprocessor thermostat designed to be mounted in the bathroom and for decorative radiators. The towel warmer equipped with an electric heating element can serve as an electric dryer or hybrid combining to the electric dryer and standard radiator connected to the central heating. Electric heating element can be easily controlled thanks to intuitive usage.

TYPES OF CONNECTION

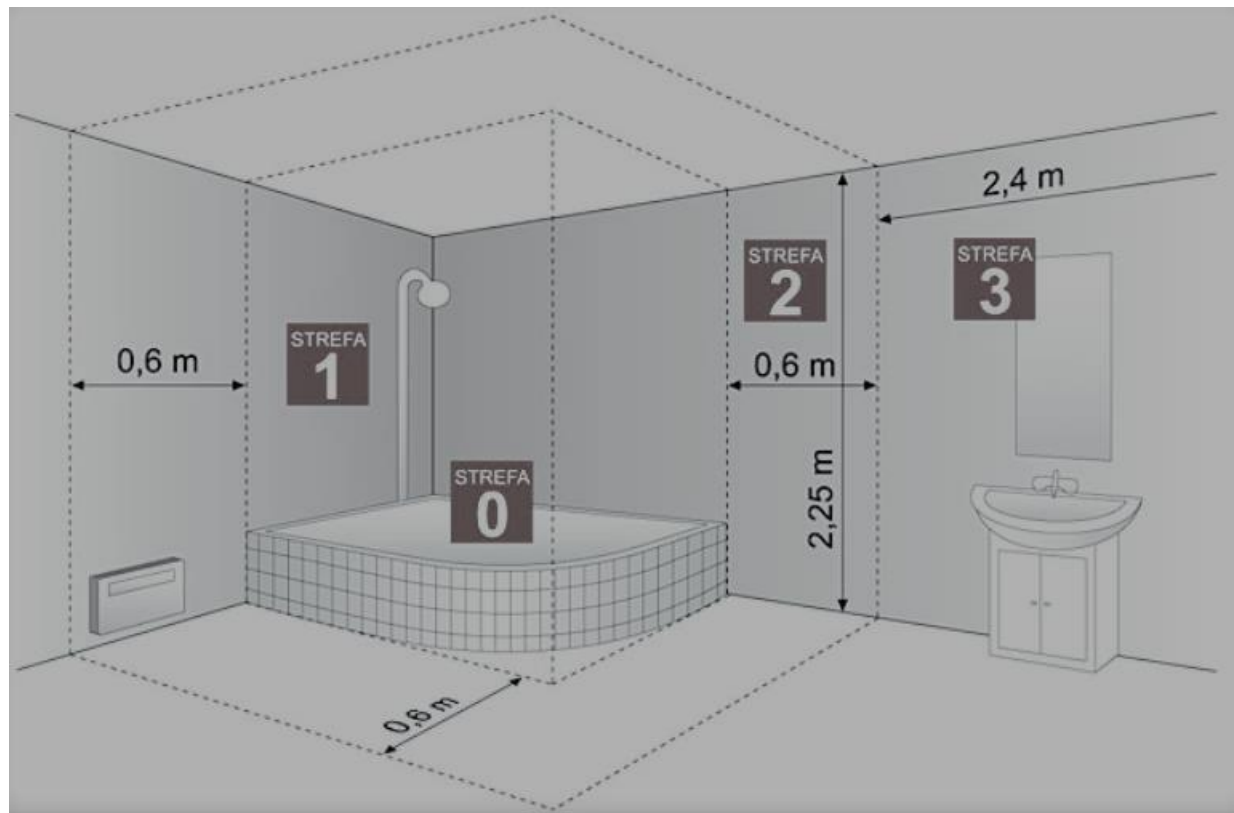
- Spiral cable
- Straight cable

COLOURS OF THERMOSTATS:

- Chrome, White, Black, Silver

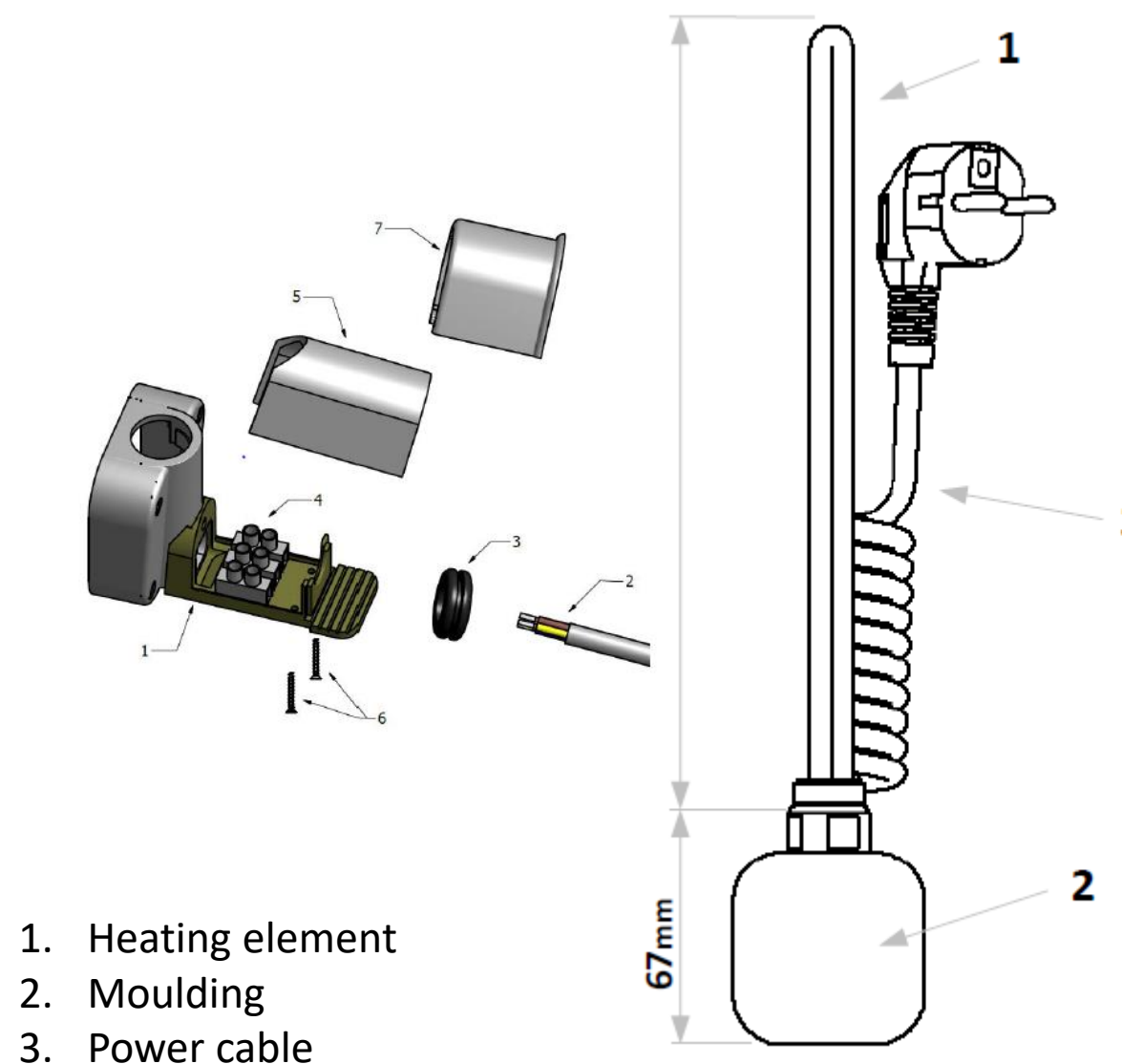
TECHNICAL PARAMETERS

- Nominal voltage: 230V, 50Hz
- Insulation class: Class I
- Ingress protection class: IPX5 (ZONE 2 i 3)
- Power: 120W, 200W, 300W, 400W, 500W, 600W, 800W, 1000W, 1200W



Source: NORM PN-EN 60529:2003

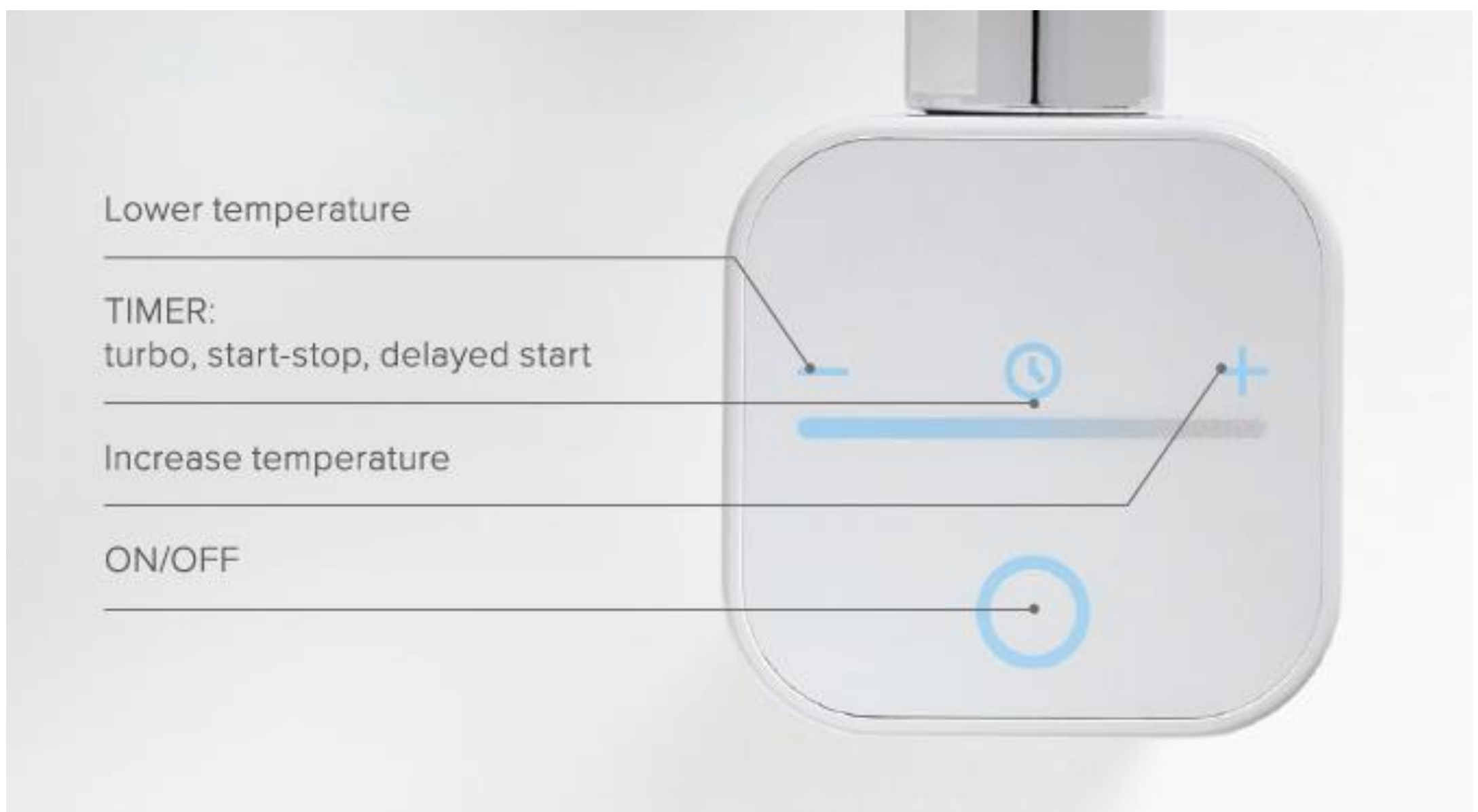
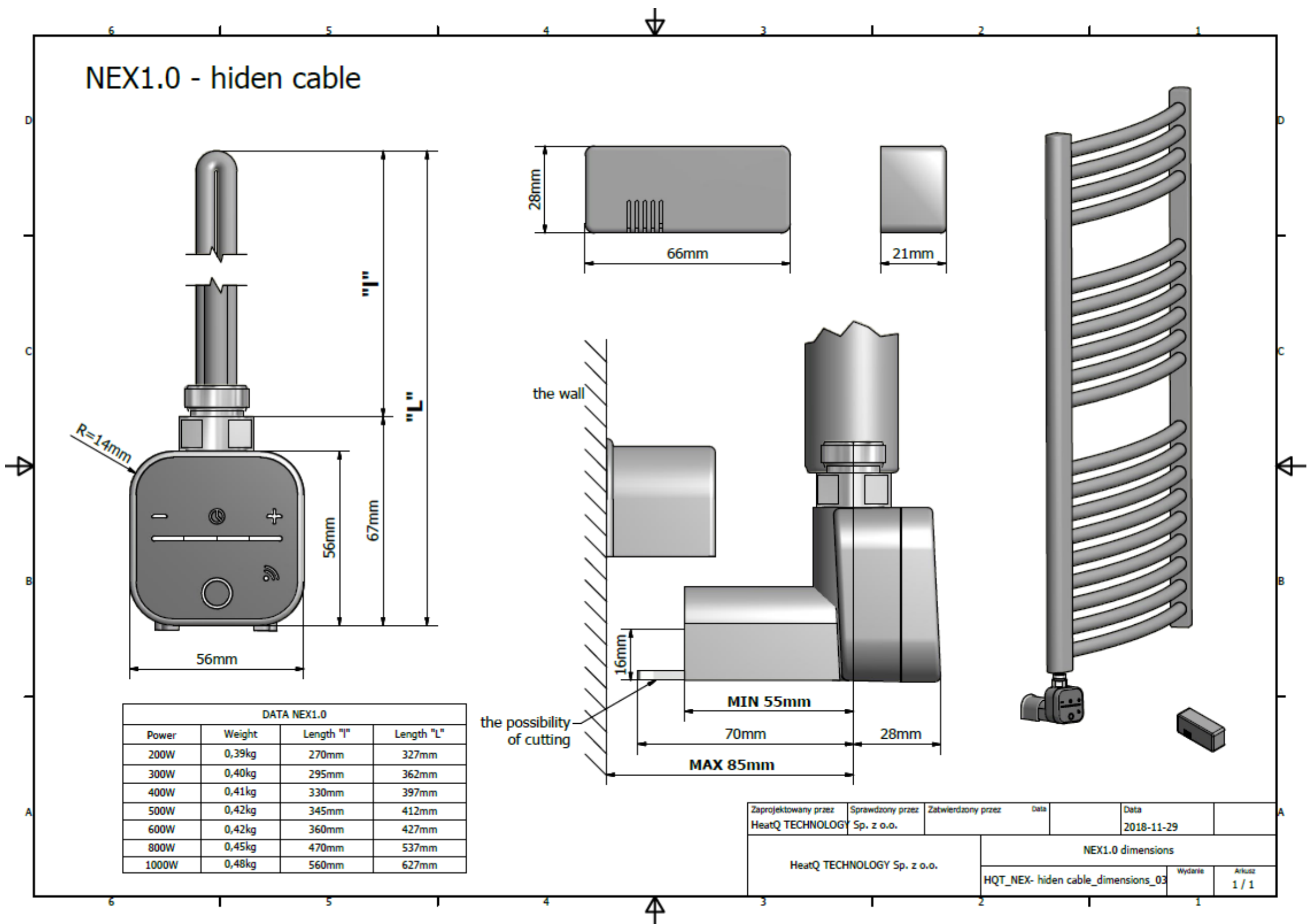
DIMENSION AND WEIGHT			
Power	Weight	Lenght "l"	Lenght "L"
120W	0,40kg	310 mm	377mm
200W	0,39kg	270mm	327mm
300W	0,40kg	295mm	362mm
400W	0,41kg	330mm	397mm
500W	0,42kg	345mm	412mm
600W	0,42kg	360mm	427mm
800W	0,45kg	470mm	537mm
1000W	0,48kg	560mm	627mm
1200W	0,49kg	565 mm	637mm



1. Heating element
2. Moulding
3. Power cable

HEATO
TECHNOLOGY

NEX1.0 - hidden cable



FUNCTIONALITY OF NEX

- Timer start-stop: after max 4 hours the electric heating element switches off
- Timer turbo: after max 4 hours the electric heating element returns to the previous setting,
- Timer delay: switching the device on with the delay max. 8 hours – operating time max. 4 hours
- ANTIFREEZE mode
- Three – level overheating protection
- Ultra-Low-Power mode
- Intelligent technology of working system - microprocessor control
- Visualisation in LED technology
- Possibility of rotates controller from 0° to 330°
- Temperature regulation from 30° to 60°C

INDEX									
Product	Name	Logo	Type of connection				Colours of thermostats	Power	Package
P - Product	NX1 – ELECTRIC HEATING ELEMENTS NEX	HQ - HeatQ	SCW	spiral	plug	white	WX - white	22 - 120W	B - carton
			SCB	spiral	plug	black	BX - black	02 - 200W	O - eko decorative packaging
			SCS	spiral	plug	silver	CX - chrome	03 - 300W	
			PCW	straight	plug	white	SX - silver	04 - 400W	
			PCB	straight	plug	black	BO – black matt	06 - 600W	
			SXW	spiral	without plug	white		08 - 800W	
			SXB	spiral	without plug	black		10 - 1000W	
			SXS	spiral	without plug	silver		0C - 1200W	
			PXW	straight	without plug	white			
			PXB	straight	without plug	black			
			PXS	straight	without plug	silver			
			HID	cover					

Example of index: PNX1HQHIDSX03B
P – PRODUCT
NX1 – ELECTRIC HEATING ELEMENT NEX
HQ – LOGO HEATQ
HID – COVER CABLE
SX – COLOR OF THERMOSTAT CHROME
03 – POWER 300 W
B – CARTON

Date: 29.01.2020

Prepared by: Natalia Woźniak

Producer:

HeatQ Technology Sp. z o.o.
80-017 Gdańsk, Trakt Św. Wojciecha 223/225
Tel.: +48 585 805 104/+48 691 209 888
www.heatq.com e-mail: biuro@heatq.com

