

PRODUCT CARD MASKING CABLE HEC time limit



Producer:
HeatQ Technology Sp. z o.o.
80-017 Gdańsk Trakt Św. Wojciecha 223/225
Phone: +48 585 805 104/+48 691 209 888
www.heatq.com e-mail: biuro@heatq.com

HEATQ
— TECHNOLOGY

INTENDED USE

Electric heating element HTL with microprocessor thermostat designed to be mounted in the bathroom and for decorative radiators intended for hotels and other public places. The towel warmer equipped with an electric heating element can serve as an electric dryer or hybrid combining to the electric dryer and standard radiator connected to the central heating.

The main advantage of the device is automatic turn off after a certain time. No continuous operation option.

TYPES OF CONNECTION

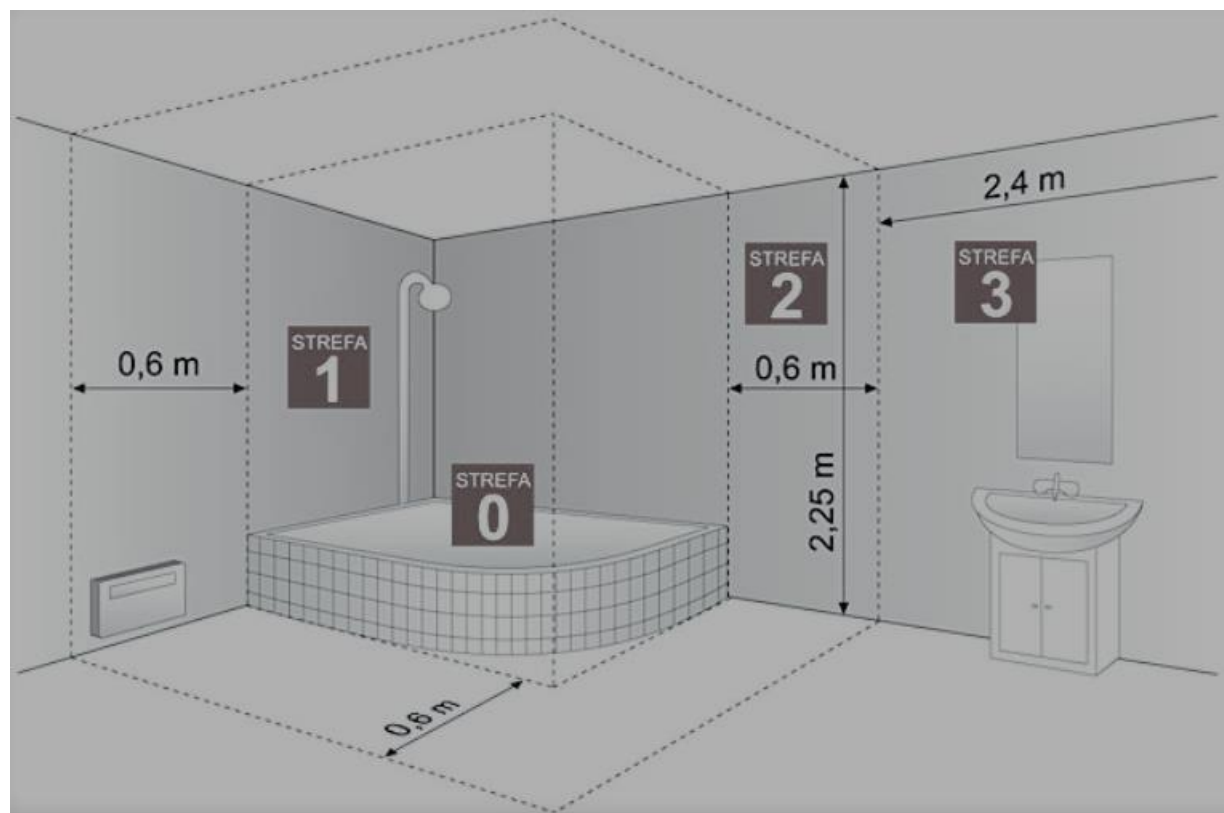
- masking cable

COLOURS OF THERMOSTATS

- chrome, white, black, black mat, silver

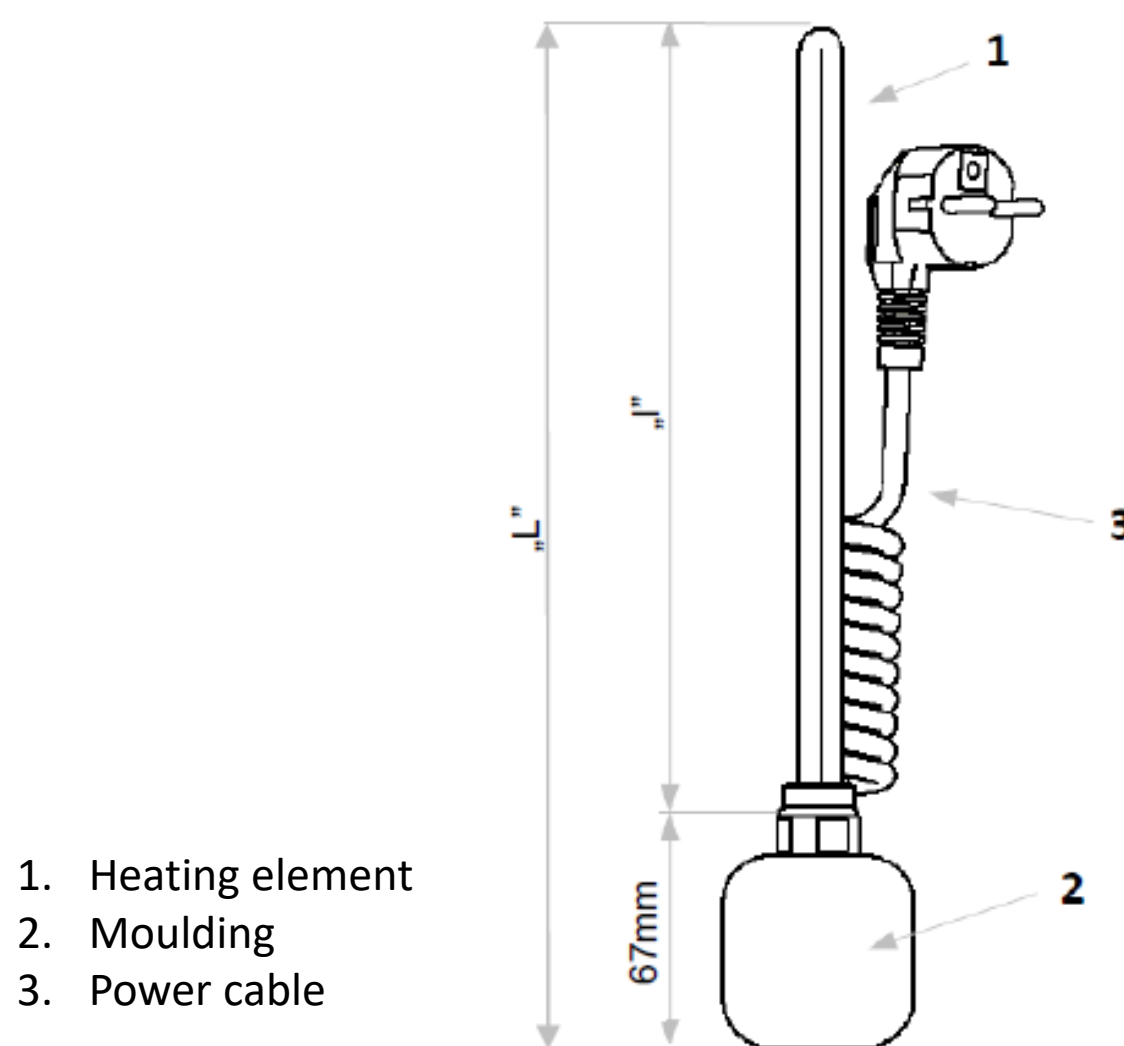
TECHNICAL PARAMETERS

- nominal voltage: option 1: 230V, 50Hz;
option 2: 110V, 60 Hz
- insulation class: option 1: Class I; option 2: Class II
- ingress protection class: IPX4 (ZONE 2 i 3)
- power: 120W, 200W, 300W, 400W, 500W, 600W, 800W, 1000W, 1200W



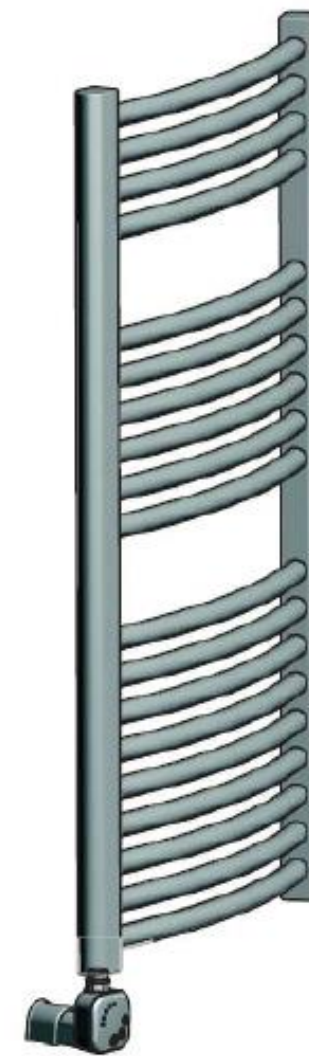
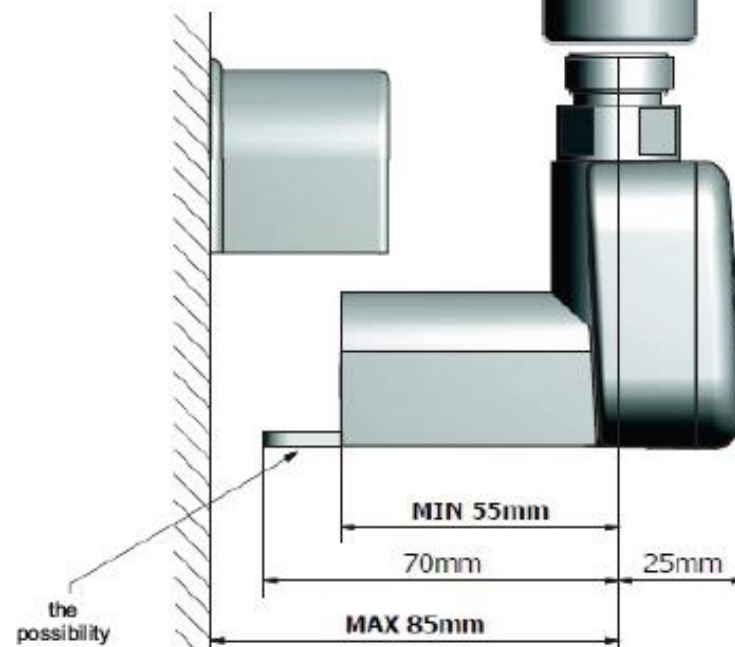
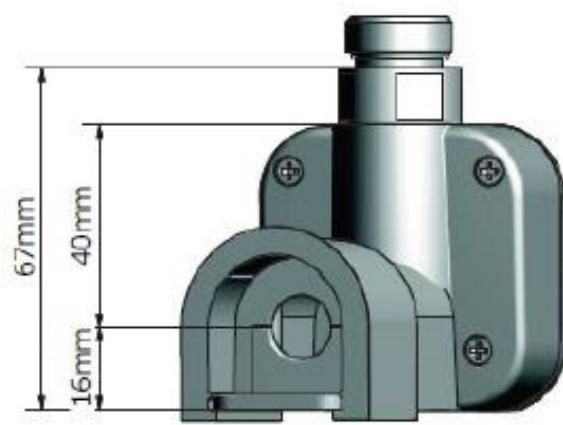
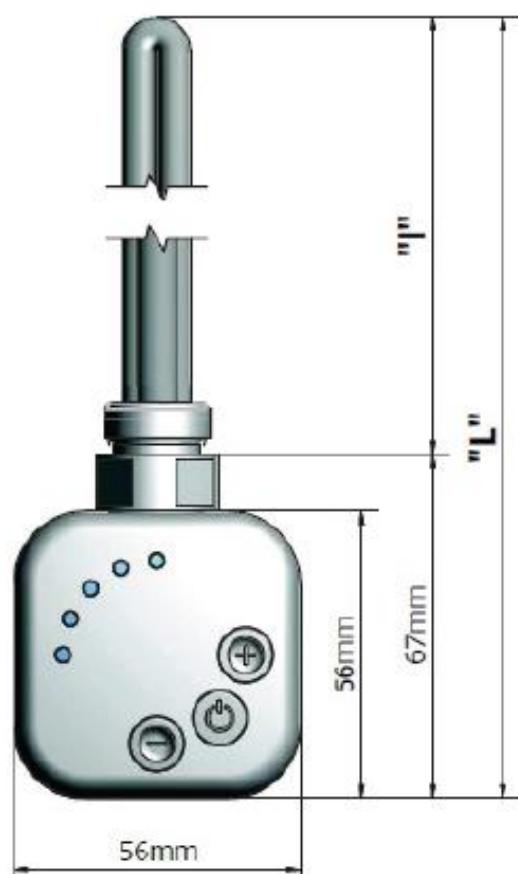
Source: NORM PN-EN 60529:2003

DIMENSION AND WEIGHT			
Power	Weight	Lenght "l"	Lenght "L"
120W	0,40kg	310 mm	377mm
200W	0,39kg	270mm	327mm
300W	0,40kg	295mm	362mm
400W	0,41kg	330mm	397mm
500W	0,42kg	345mm	412mm
600W	0,42kg	360mm	427mm
800W	0,45kg	470mm	537mm
1000W	0,48kg	560mm	627mm
1200W	0,49kg	565 mm	637mm



1. Heating element
2. Moulding
3. Power cable

HEC - HTL - masking cable



Data HEC - HTL			
Power	Weight	Length „I”	Length „L”
120W	0,40 kg	310 mm	377 mm
200W	0,39 kg	270 mm	327 mm
300W	0,40 kg	295 mm	362 mm
400W	0,41 kg	330 mm	397 mm
500W	0,42 kg	345 mm	412 mm
600W	0,42 kg	360 mm	427 mm
800W	0,45 kg	470 mm	537 mm
1000W	0,48 kg	560 mm	627 mm
1200W	0,49 kg	562 mm	629 mm

Zaprojektowany przez HeatQ Technology	Spawalnictwo przez	Data wykonania przez	Data	Data	
HeatQ Technology			Dimensions HEC - HTL		
HEC - HTL masking cable			Wydanie	Arkusz 1/1	



FUNCTIONALITY

- timer START-STOP– electric heating element will automatically turn off after programmed time
- no continuous operation option
- 4-stage temperature regulation in the range of 30 ° – 60 ° C
- dryer function
- two-level overheating protection
- additional protection against working when "dry"
- low power consumption in standby mode (Ultra-Low-Power)
- ANTIFREEZE function
- intelligent work control – microprocessor control
- visualization in colorful LED technology
- controller rotation in the range of 0° – 330°

KONFIGURATOR INDEKSU					
Product	Type of connection	Colours	Power	Package	Optional equipment
PHTL -- ELECTRIC HEATING ELEMENTS HTL	HD – masking cable	WX - white	22 - 120W	B – carton without the print	T- tee
		BX - black	02 - 200W	O – carton with the print	
		BO – black mat	03 - 300W	R - foil	
		SX - silver	04 - 400W		
		CX - chrome	06 - 600W		
			08 - 800W		
			10 - 1000W		
			0C - 1200W		

Index example: PHTLHDCX03BT

PHTL – ELECTRIC HEATING ELEMENTS HEC TIME LIMIT

HD – MASKING CABLE

CX – COLOUR OF THERMOSTAT CHROME

03 – POWER 300 W

B – CARTON WITHOUT THE PRINT

T – TEE

Date: 07.06.2021

Elaborated by: Natalia Woźniak

Producer:

HeatQ Technology Sp. z o.o.

80-017 Gdańsk Trakt Św. Wojciecha 223/225

Phone: +48 585 805 104/+48 691 209 888

www.heatq.com e-mail: biuro@heatq.com

HEATO
— TECHNOLOGY