

PRODUCT CARD HEC 1.0 WITH SPIRAL CABLE AND STRAIGHT CABLE



Producer:

HeatQ Technology Sp. z o.o.

80-017 Gdańsk Trakt Św. Wojciecha 223/225

Tel.: +48 585 805 104/+48 691 209 888

www.heatq.com e-mail: biuro@heatq.com

HEATQ
— TECHNOLOGY

INTENDED USE

Electric heating element HEC with microprocessor thermostat designed to be mounted in the bathroom and for decorative radiators. The towel warmer equipped with an electric heating element can serve as an electric dryer or hybrid combining to the electric dryer and standard radiator connected to the central heating.

TYPES OF CONNECTION

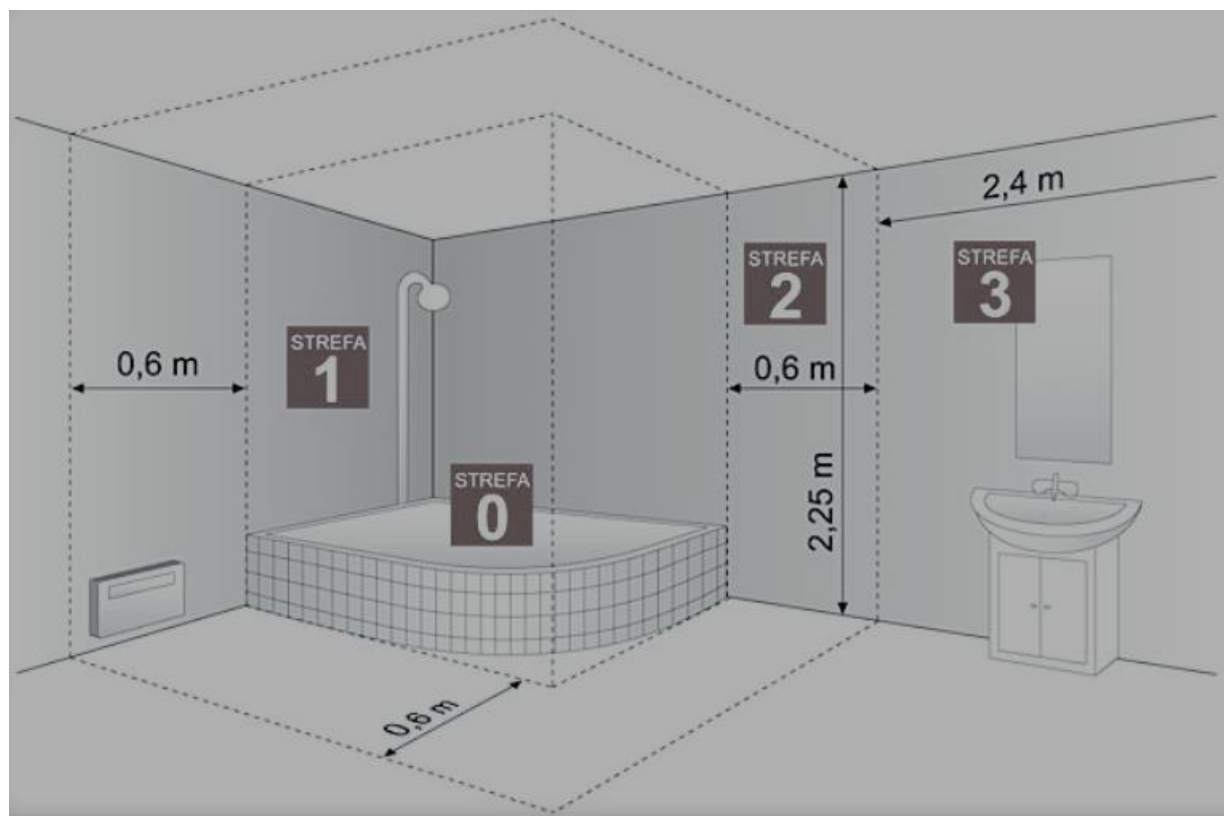
- spiral cable
- straight cable

COLOURS OF THERMOSTATS

- chrome, white, black, black mat, silver

TECHNICAL PARAMETERS

- nominal voltage: option 1: 230V, 50Hz;
option 2: 110V, 60 Hz
- insulation class: option 1: Class I; option 2: Class II
- ingress protection class: IPX4 (ZONE 2 i 3)
- power: 120W, 200W, 300W, 400W, 500W, 600W, 800W, 1000W, 1200W

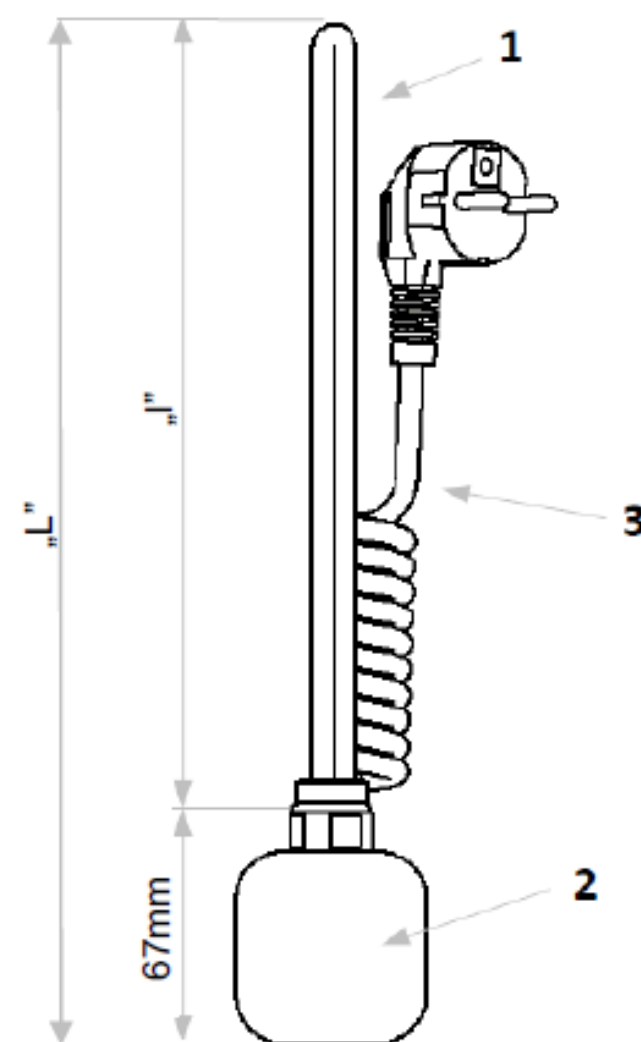


Source: NORM PN-EN 60529:2003

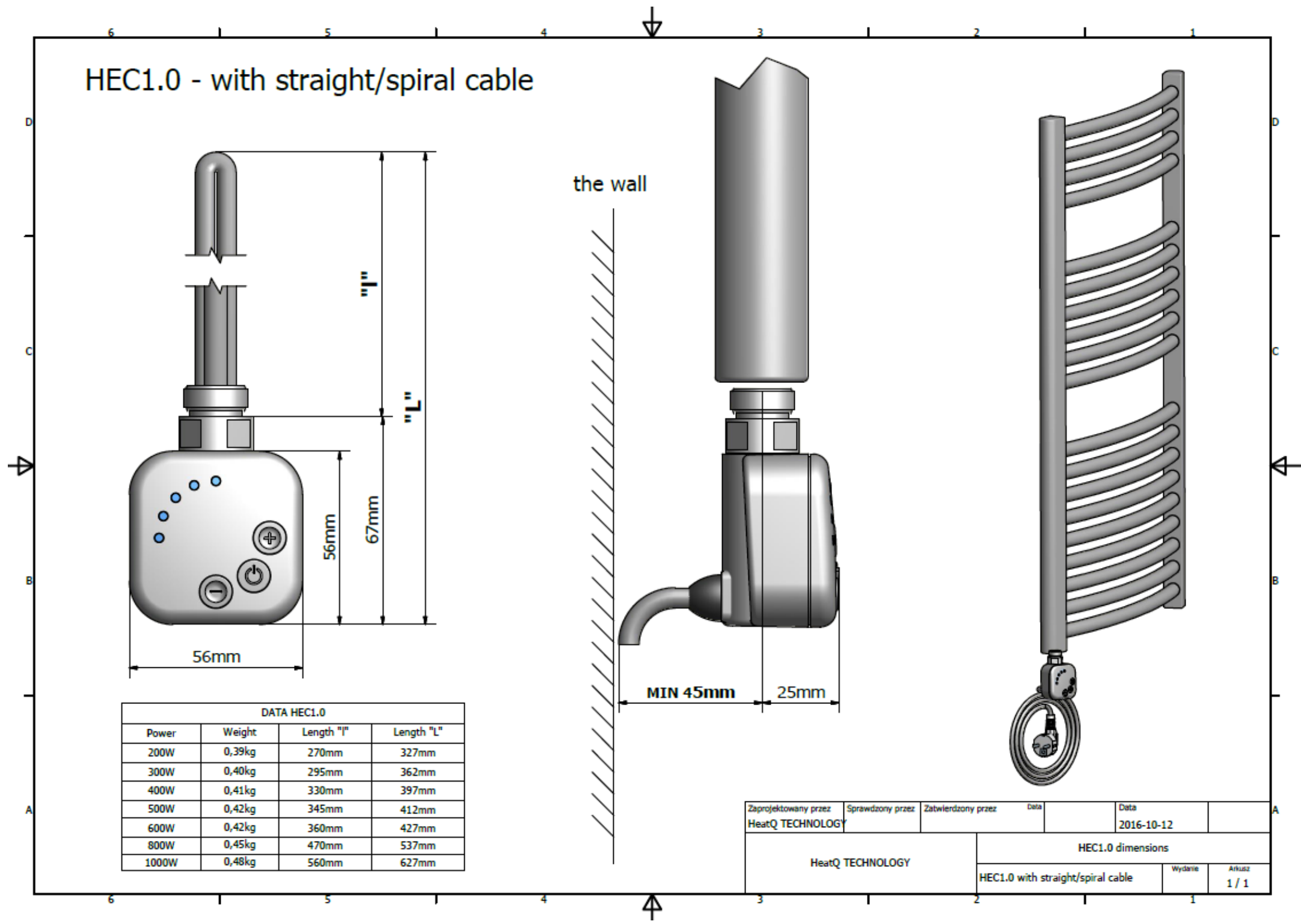
DIMENSION AND WEIGHT

Power	Weight	Lenght "l"	Lenght "L"
120W	0,40kg	310 mm	377mm
200W	0,39kg	270mm	327mm
300W	0,40kg	295mm	362mm
400W	0,41kg	330mm	397mm
500W	0,42kg	345mm	412mm
600W	0,42kg	360mm	427mm
800W	0,45kg	470mm	537mm
1000W	0,48kg	560mm	627mm
1200W	0,49kg	565 mm	637mm

1. Heating element
2. Moulding
3. Power cable



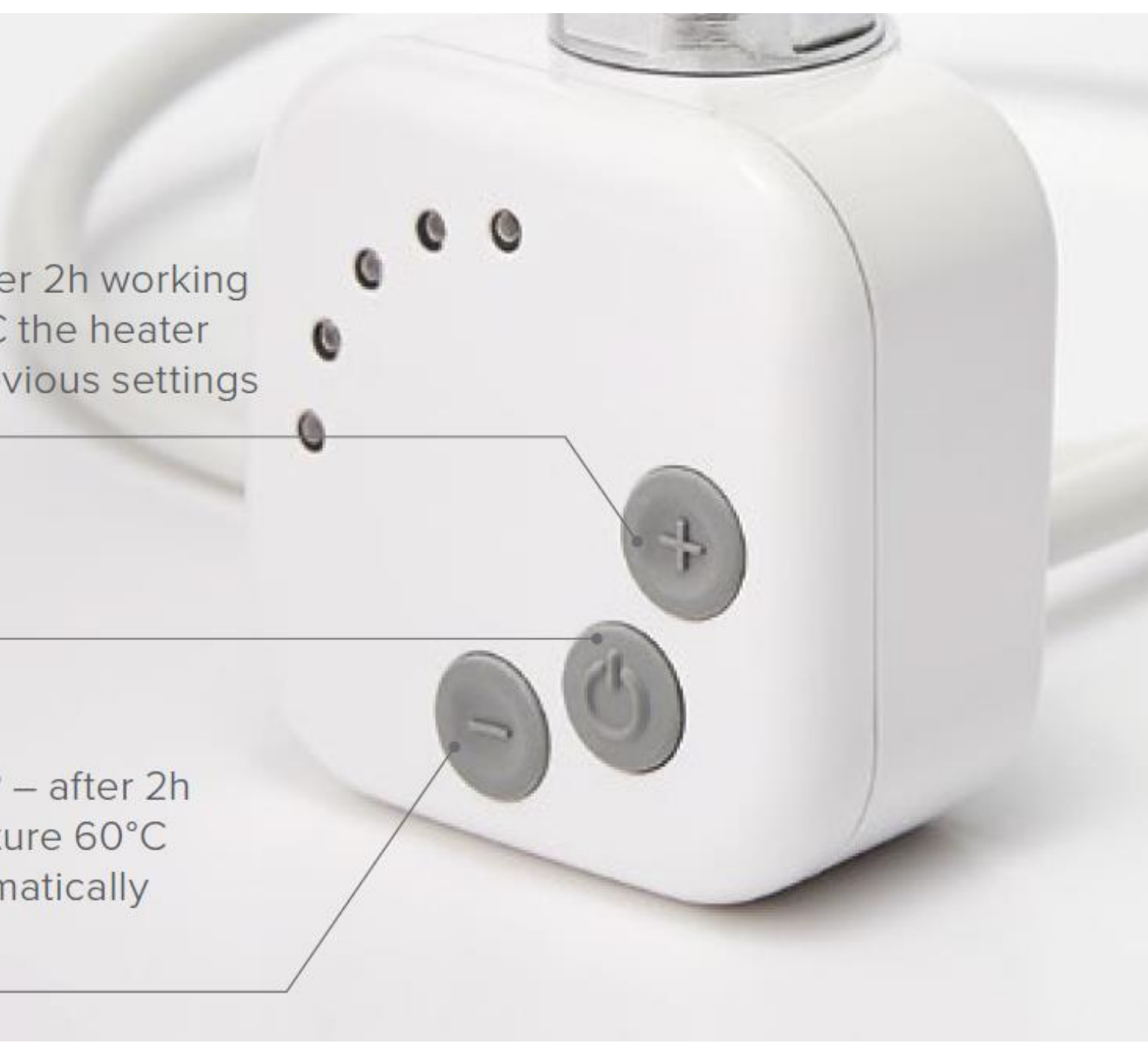
HEC1.0 - with straight/spiral cable



- > Higher temperature
- > TIMER TURBO – after 2h working in temperature 60°C the heater will return to the previous settings

ON/OFF

- > Lower temperature
- > TIMER START/STOP – after 2h working in temperature 60°C the heater will automatically switched off



FUNCTIONALITY

- timer TURBO – after 2h electric heating element will return to the previous settings
- timer START-STOP– after 2h electric heating element will automatically turn off
- 4-stage temperature regulation in the range of 30 ° – 60 ° C
- controller rotation in the range of 0° – 330°
- ANTIFREEZE function
- two-level overheating protection
- additional protection against working when "dry"
- low power consumption in standby mode (Ultra-Low-Power)
- dryer function
- intelligent work control – microprocessor control
- visualization in colorful LED technology

INDEX					
Product	Type of connection	Colours	Power	Package	Optional equipment
PHE1 – ELECTRIC HEATING ELEMENTS HEC 1.0	PC – straight cable with the plug	WX - white	22 - 120W	B – carton without the print	T- tee
	PX – straight cable without the plug	BX - black	02 - 200W	O – carton with the print	
	SC – spiral cable	BO – black mat	03 - 300W	R - foil	
		SX - silver	04 - 400W		
		CX - chrome	06 - 600W		
			08 - 800W		
			10 - 1000W		
			0C - 1200W		

Index example: PHE1HDCX03B

PHE1 – ELECTRIC HEATING ELEMENTS HEC 1.0

SC – SPIRAL CABLE

CX – COLOUR OF THERMOSTAT CHROME

03 – POWER 300 W

B – CARTON WITHOUT THE PRINT

Date: 12.02.2020 r.

Elaborate by: Natalia Woźniak

Producer:

HeatQ Technology Sp. z o.o.

80-017 Gdańsk Trakt Św. Wojciecha 223/225

Tel.: +48 585 805 104/+48 691 209 888

www.heatq.com e-mail: biuro@heatq.com

HEATQ
— TECHNOLOGY