

# PRODUCT CARD

## ELECTRIC HEATING ELEMENT NORD WITH MASKING CABLE



Producer:  
HeatQ Technology Sp. z o.o.  
Trakt Św. Wojciecha 223/225, 80-017 Gdańsk  
Tel.: +48 585 805 104/+48 691 209 888  
www.heatq.com e-mail: biuro@heatq.com

**HEATQ**  
— TECHNOLOGY

## PURPOSE

Electric heating element NORD with microprocessor control is destined to be mounted in bathroom and decorative heaters. The main feature of the product is its simplicity in use, with no need to resign of the intelligent heat control with maintaining elegant and simple form of modern design.

The heater equipped with an electric heating element functions as an electric dryer or can be a hybrid combination of heater connected to central heating. Thanks to intuitive operation there is a possibility of free functionality programming of heating element.

## TYPES OF CONNECTION

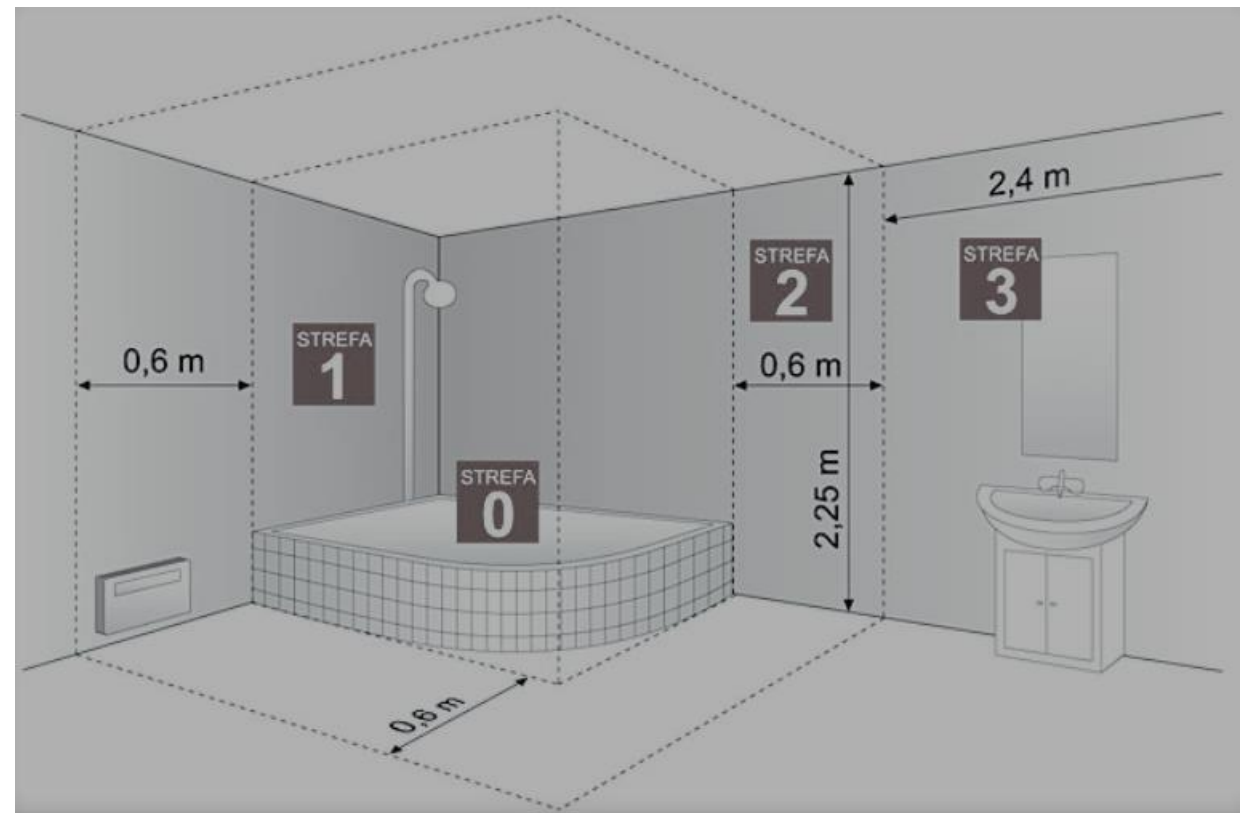
- masking cable

## COLOURS OF THERMOSTAT

- white, black, chrome

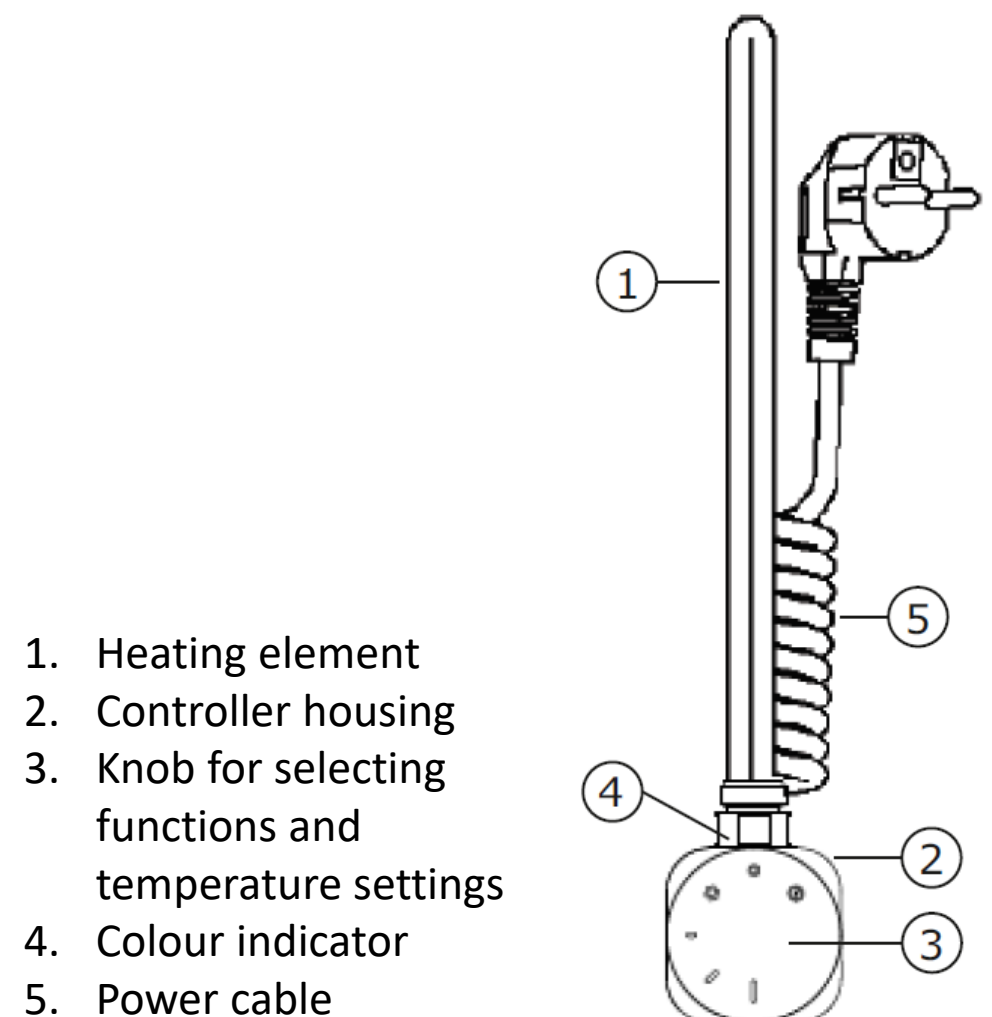
## TECHNICAL PARAMETERS

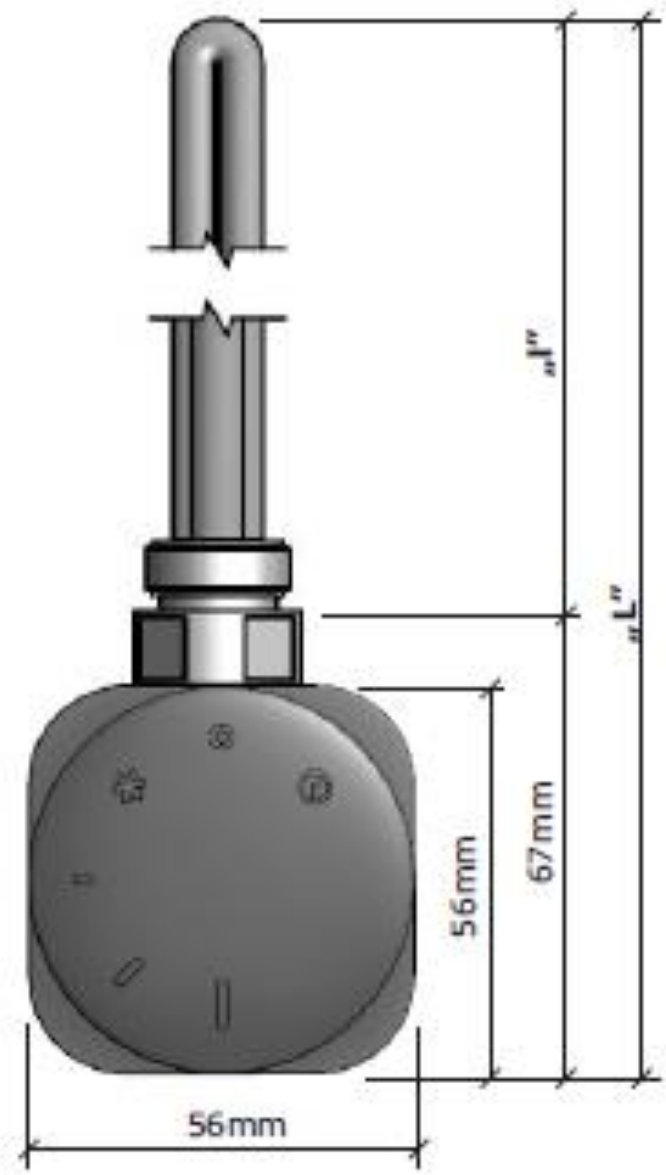
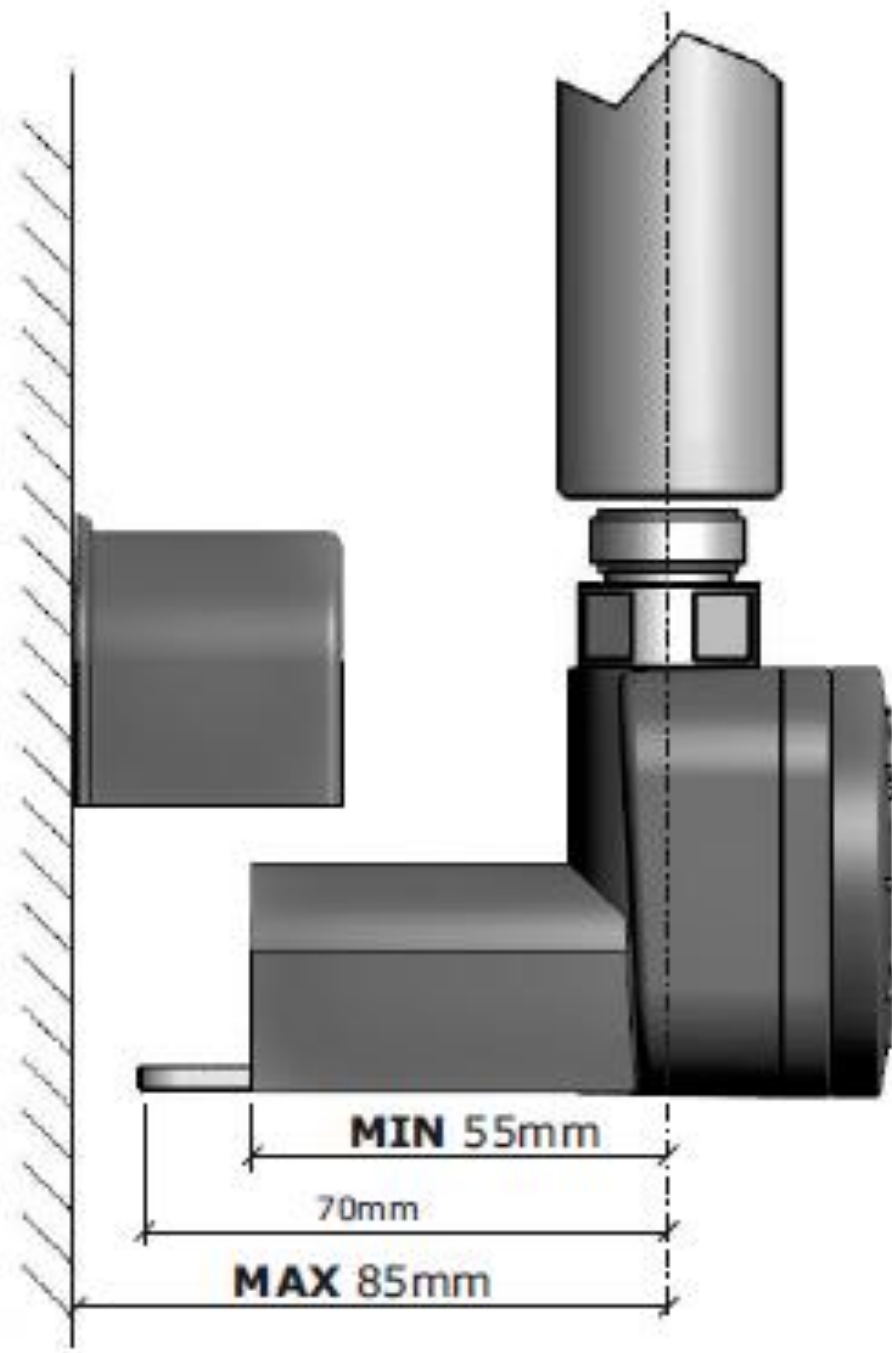
- nominal voltage: variant 1: 230V, 50Hz;  
variant 2: 110V, 60Hz
- insulation class: variant 1: class I; variant 2: class II
- ingress protection class: IPX4 (ZONE 2 i 3)
- power: 120W, 200W, 300W, 400W, 500W, 600W, 800W, 1000W, 1200W



Source: NORMA PN-EN 60529:2003

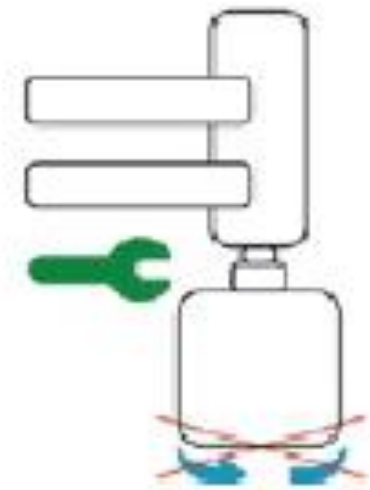
DIMENSION AND WEIGHT			
Power	Weight	Lenght "l"	Lenght "L"
120W	0,40 kg	310 mm	377 mm
200W	0,39 kg	270 mm	327 mm
300W	0,40 kg	295 mm	362 mm
400W	0,41 kg	330 mm	397 mm
500W	0,42 kg	345 mm	412 mm
600W	0,42 kg	360 mm	427 mm
800W	0,45 kg	470 mm	537 mm
1000W	0,48 kg	560 mm	627 mm
1200W	0,49 kg	565 mm	637 mm



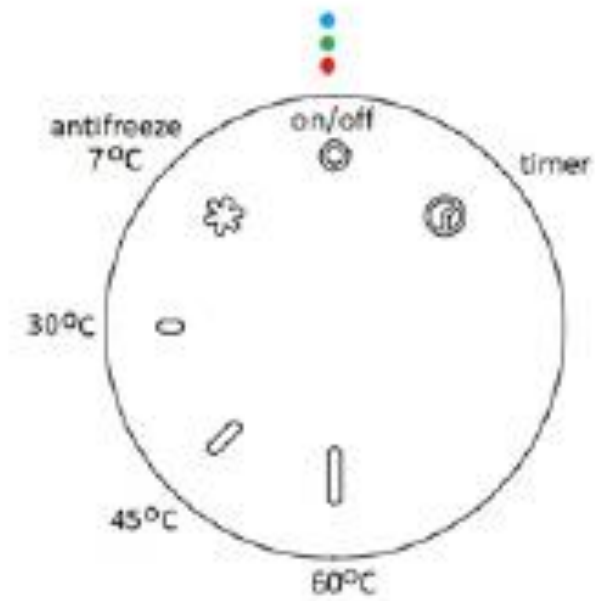
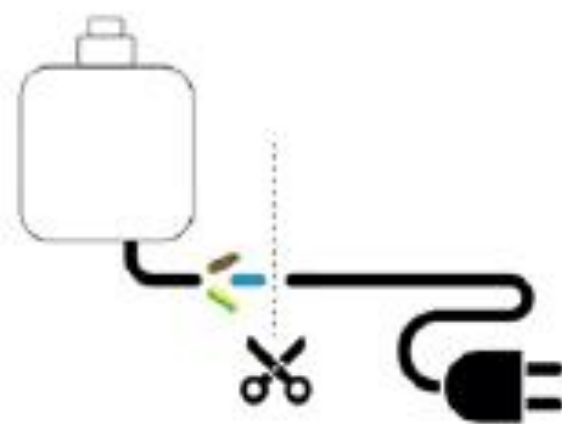


POWER [W]	120	200	300	400	500	600	800	1000	1200
L* [mm]	310	270	295	330	345	360	470	560	562
L* [mm]	377	327	362	397	412	427	537	627	629

!   
 ~ 230V   
 ~ 400V



L   
 N   
 PE



## FUNCTIONALITY OF NORD

- timer START-STOP: after programmed time the electric heating element switches off
- 3-level temperature regulation: ECO – 30°C, I – 45°C, II – 60°C
- dryer function
- 2-level overheating protection
- additional protection against working when "dry"
- ANTIFREEZE function
- intelligent technology of working system - microprocessor control
- visualisation in LED technology
- possibility to rotate the controller from 0° to 330°

INDEX					
Model	Type of connection	Colour	Power	Package	Optional equipment
PND1 – ELECTRIC HEATING ELEMENT NORD	HD – masking cable	WX - white	22 - 120W	B – carton without printing	T- tee
		BX - black matt	02 - 200W		
		CX - chrome	03 - 300W		
			04 - 400W		
			06 - 600W		
			08 - 800W		
			10 - 1000W		
			0C - 1200W		

Example of index: PND1HDCX03BT

PND1 – ELECTRIC HEATING ELEMENT NORD

HD – MASKING CABLE

CX – HOUSING COLOUR CHROME

03 – POWER 300 W

B – CARTON WITHOUT PRINTING

T – TEE

Date: 28.10.2020

Prepared by: Urszula Wasielewska

Producer:

HeatQ Technology Sp. z o.o.

Trakt Św. Wojciecha 223/225, 80-017 Gdańsk

Tel.: +48 585 805 104/+48 691 209 888

www.heatq.com e-mail: biuro@heatq.com

**HEATQ**  
— TECHNOLOGY