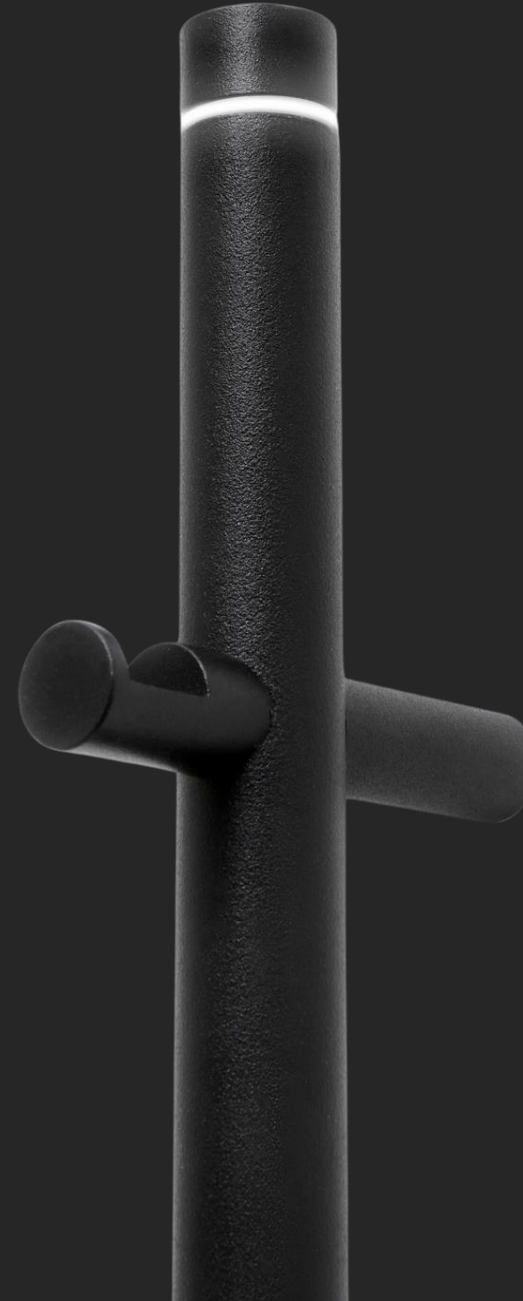


ASTER

ASTA design and functionality
enhanced with **timers**

- ✓ The **simple yet elegant** design
- ✓ Signalisation with modern **white LED**
- ✓ **Timers** allowing you to precisely control the running time of the dryer:
 - 🕒 2 hour timer
 - 🕒 4 hour timer
 - 🕒 6 hour timer
- ✓ **Ease of use**



ASTER



Design

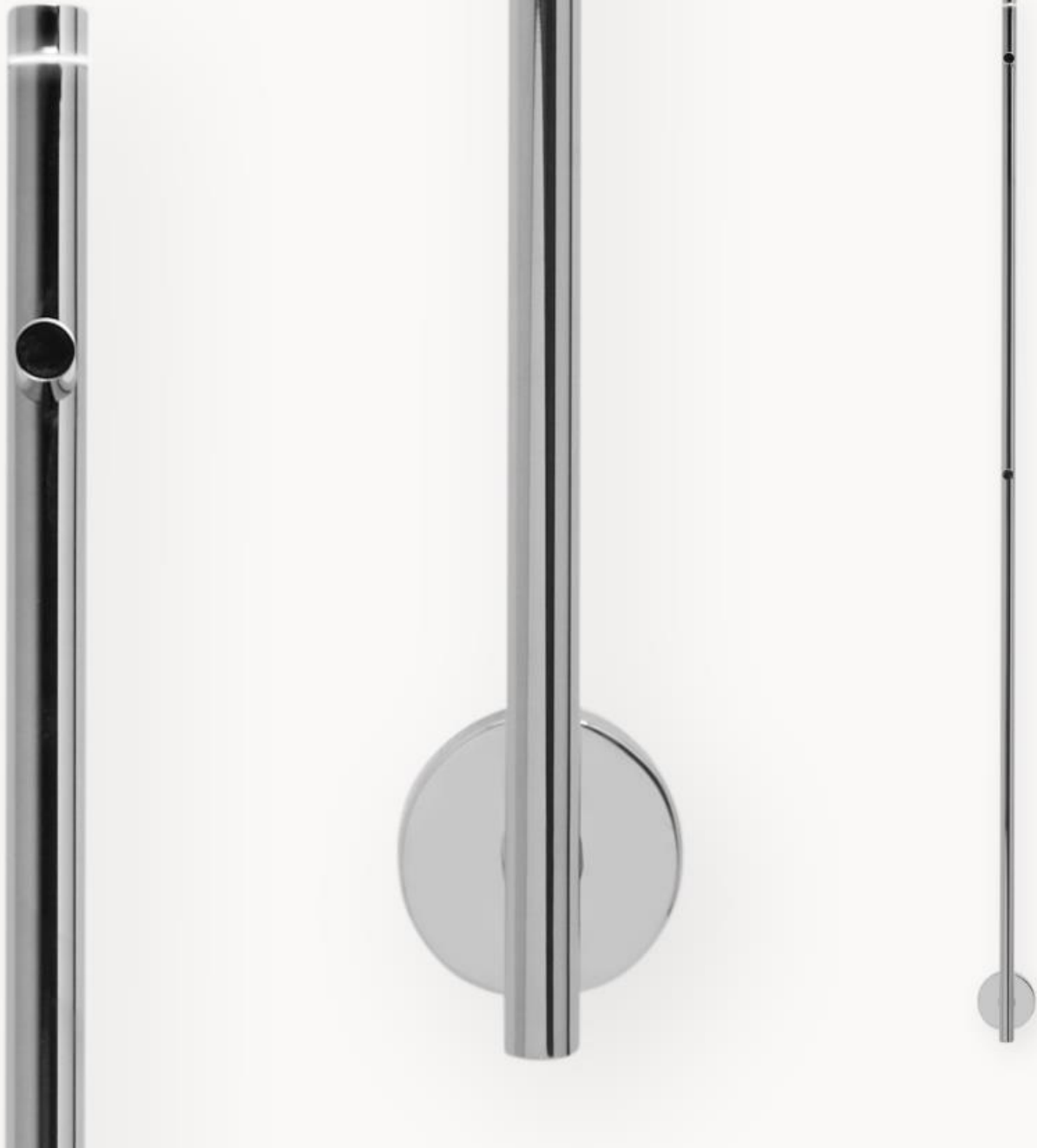
We have kept the simple, yet elegant design of the ASTA electric dryer which has won your heart. The operation of the ASTER is indicated by a modern white LED light.



Functionality

The electric dryer is equipped with three timers - a 2, 4 and 6 hour timer - allowing you to precisely control the running time of the dryer. At the end of the set time, ASTER switches off automatically.

ASTER



Ease of use

The ASTER has only one button to switch on and set the timer. Thanks to its simple operation, use of the dryer is very intuitive.

Functionality

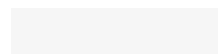
- three timers
- stylish hangers included
- visualization in colour LED technology (colour white)
- the temperature on the surface of the electric dryer does not exceed 65°C

Technical specifications

- nominal supply voltage: ~230V, 50Hz
- insulation class: class I
- protection class: IPX4
- connection: flush-mounted or external power cable L= 1.2 m

Colour

- Chrome
- Black matt
- White matt



Dimensions:
width x height [mm]

85 x 915

85 x 1515



TIMERS

Functionalities

- 2h timer - the dryer turns on for 2 hours and switches off after this period
- 4h timer - the dryer turns on for 4 hours and switches off after this period
- 6h timer - the dryer turns on for 6 hours and switches off after this period

Control

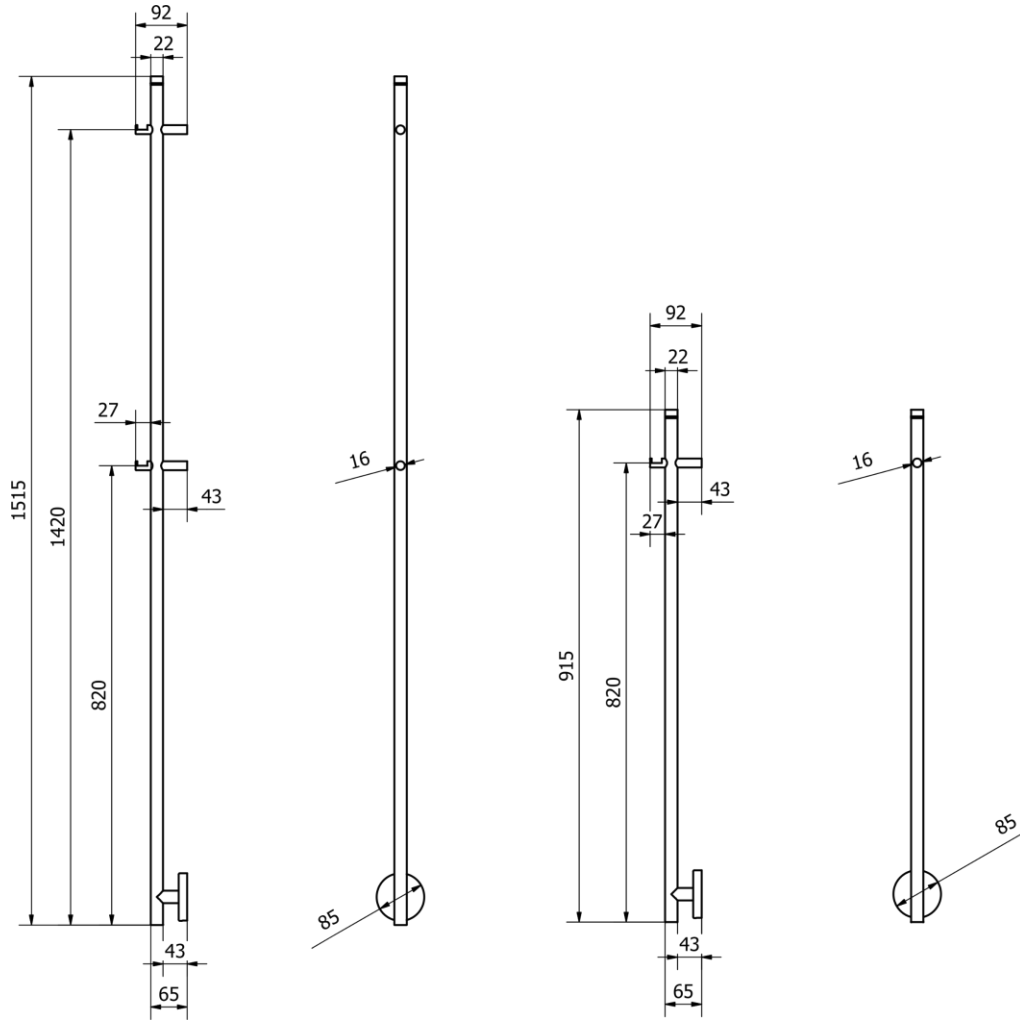
- Single press of the button - starting the 2h Timer
- Double press of the button - starting the 4h Timer
- Pressing and holding the button for 5 seconds - starting the 6h Timer
- While the dryer is operating, a single press of the button switches the appliance off

LED signaling

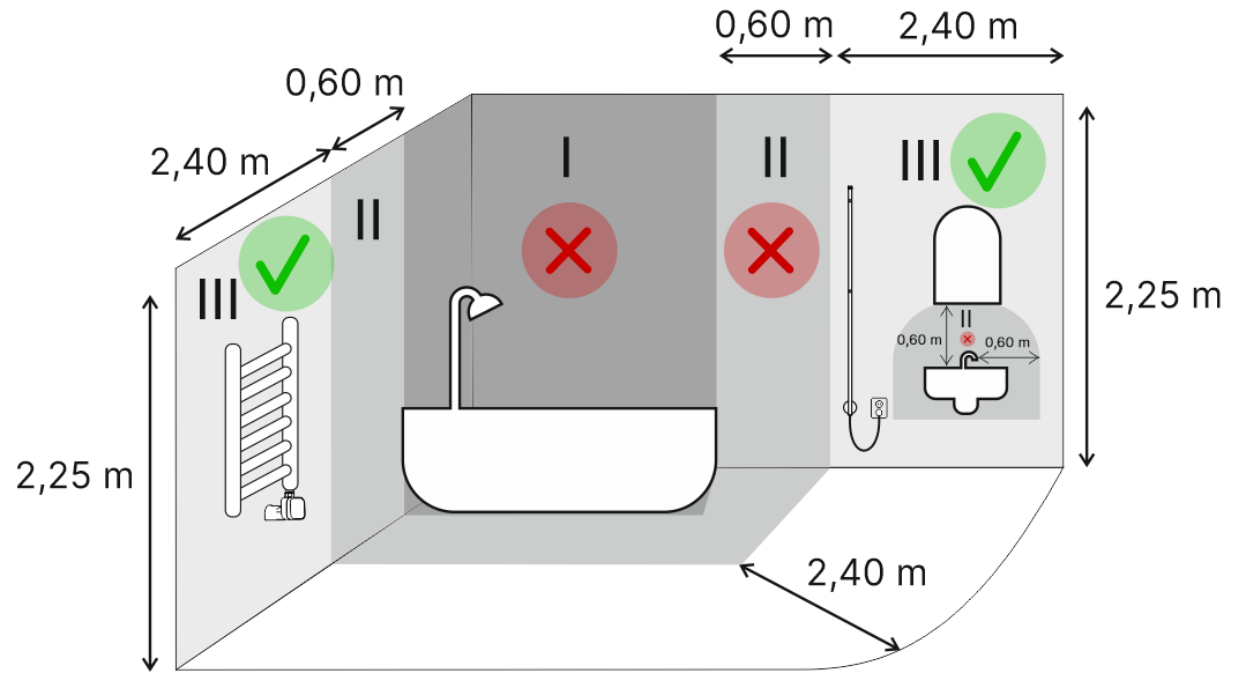
- One blink - Start of the 2h timer function
- Two blinks – Start of the 4h timer function
- Fading and lighting up - 2h Timer or 4h Timer operation
- Continuous illumination – 6h Timer operation
- LED off - Dryer off



Dimensions

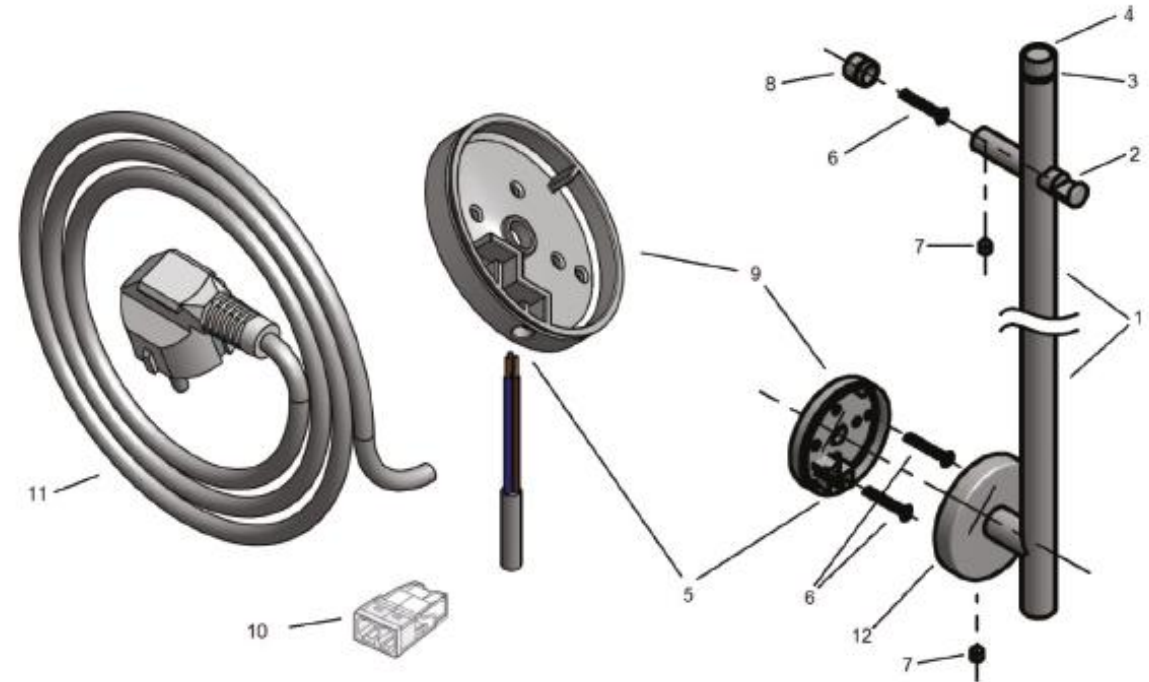


Ingress protection class: IPX4 (zone 3)



Components of ASTER

1. Dryer collector;
2. Hanger - 1 pc. (Aster Short) or 2 pcs. (Aster Long);
3. LED indicator;
4. Switch - on/off;
5. Power cord mounting location;
6. Screws mounting the hanger bases and head to the wall;
7. Serscrew fixing the head or hanger to the base;
8. Hanger base - 1 pc. (Aster Short) or 2 pcs. (Aster Long);
9. Head base mounted to wall or installation box;
10. Mains connection terminals;
11. External power cord (ATTENTION: Available for purchase on request);
12. Dryer head.



A close-up photograph showing a person's hands working on a black mechanical component. The person is wearing a blue plaid shirt. They are using a metal tool with a long handle and a cylindrical head to adjust or assemble the component. The background is blurred, showing more of the person's shirt and a white surface.

HEATQ

— TECHNOLOGY

HEATQ TECHNOLOGY SP. Z O.O.
Trakt Św. Wojciecha 223/225
80-017 Gdańsk
Tel. +48 58 580 51 04
E-mail: biuro@heatq.com
E-mail: info@heatq.com