

PRODUCT CARD

IRC T



Producer:

HeatQ Technology Sp. z o.o.

80-017 Gdańsk Trakt Św. Wojciecha 223/225

Tel.: +48 585 805 104/+48 691 209 888

www.heatq.com e-mail: biuro@heatq.com



HEATQ
— TECHNOLOGY

INTENDED USE

Electric heating element IRC T with a local controller equipped with a Bluetooth module, Wi-Fi and 868 MHz radio communication module.

Radiator equipped with the electric heating element IRC T performs as a electric dryer, space heater or hybrid combining to the electric dryer and standard radiator connected to the central heating. Due to intuitive operation the device programming is simply and user-friendly. The electric heating element can be operated remotely thanks to the Smart Life or Tuya Smart available on IOS or Android.

TYPES OF CONNECTION

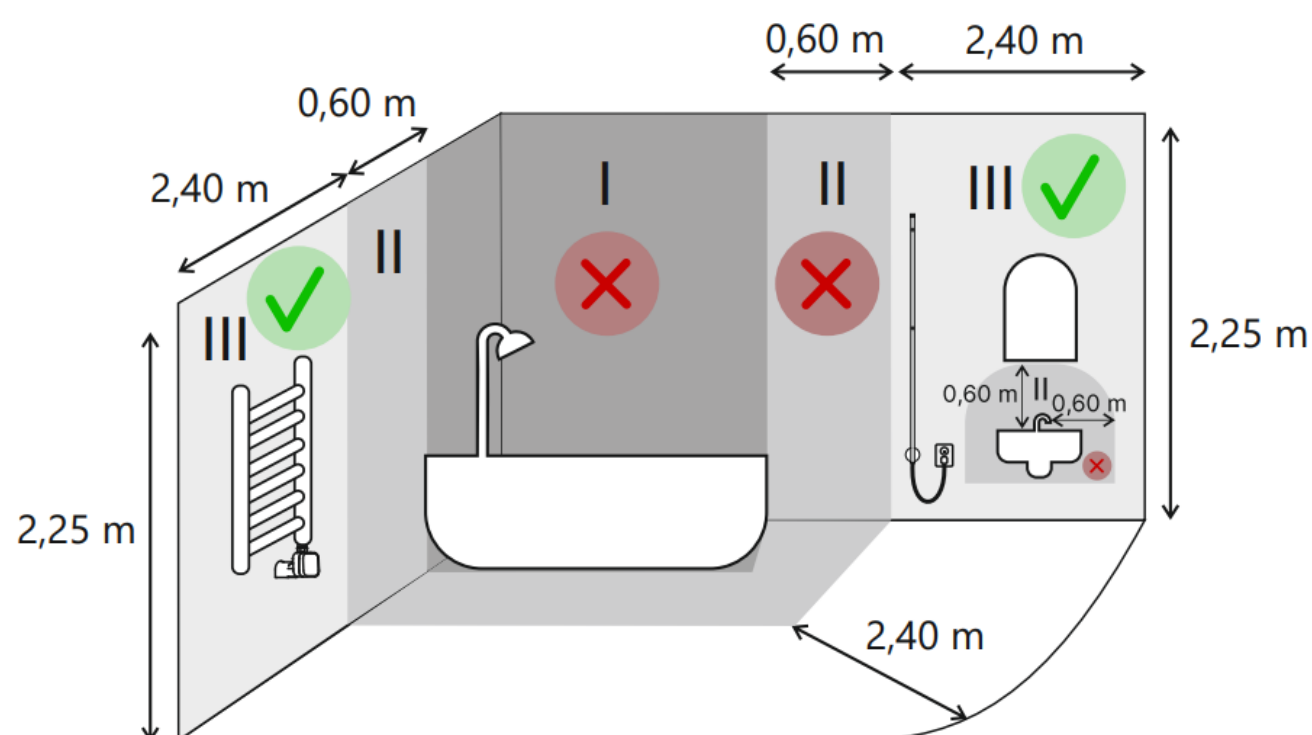
- spiral cable
- straight cable
- masking cable

COLOURS OF THERMOSTATS:

white, black, black matt, silver, white matt

TECHNICAL PARAMETERS:

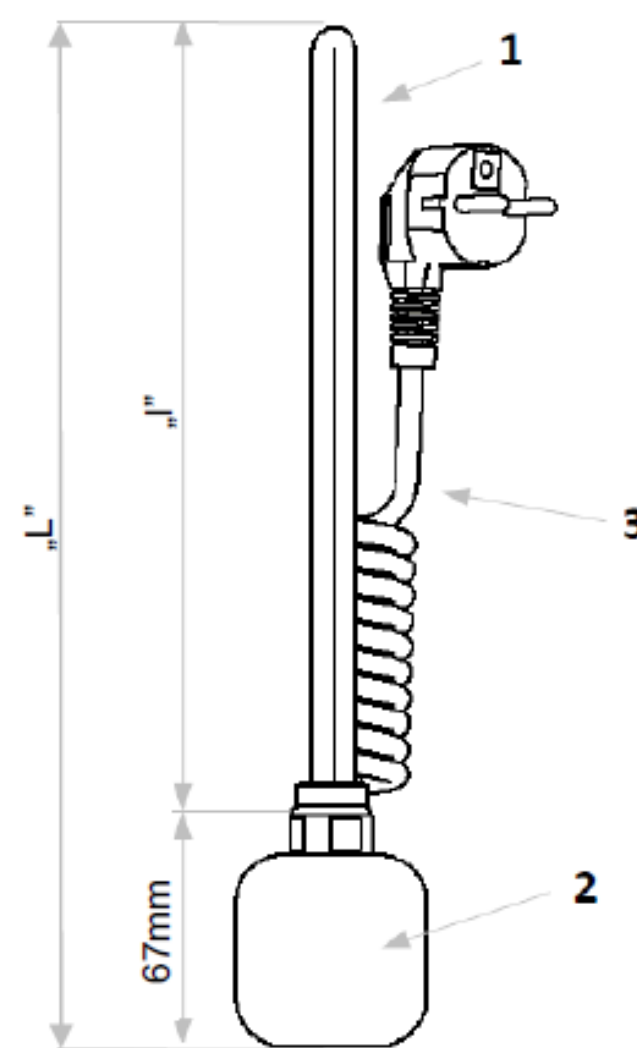
- nominal voltage: 230V, 50Hz
- appliance class: Class I
- ingress protection: IPX5
- power: 120W, 200W, 300W, 400W, 500W, 600W, 800W, 1000W, 1200W, 1500W



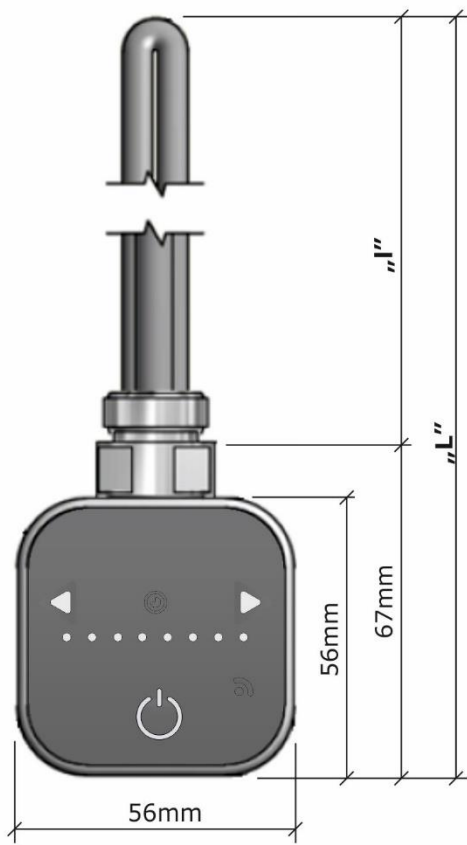
Source: IEC: 60364-7-701

1. Heating element
2. Controller housing
3. Power cable

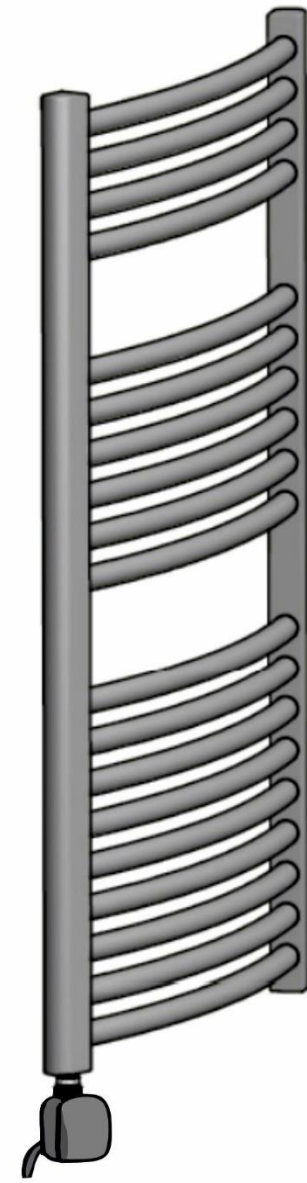
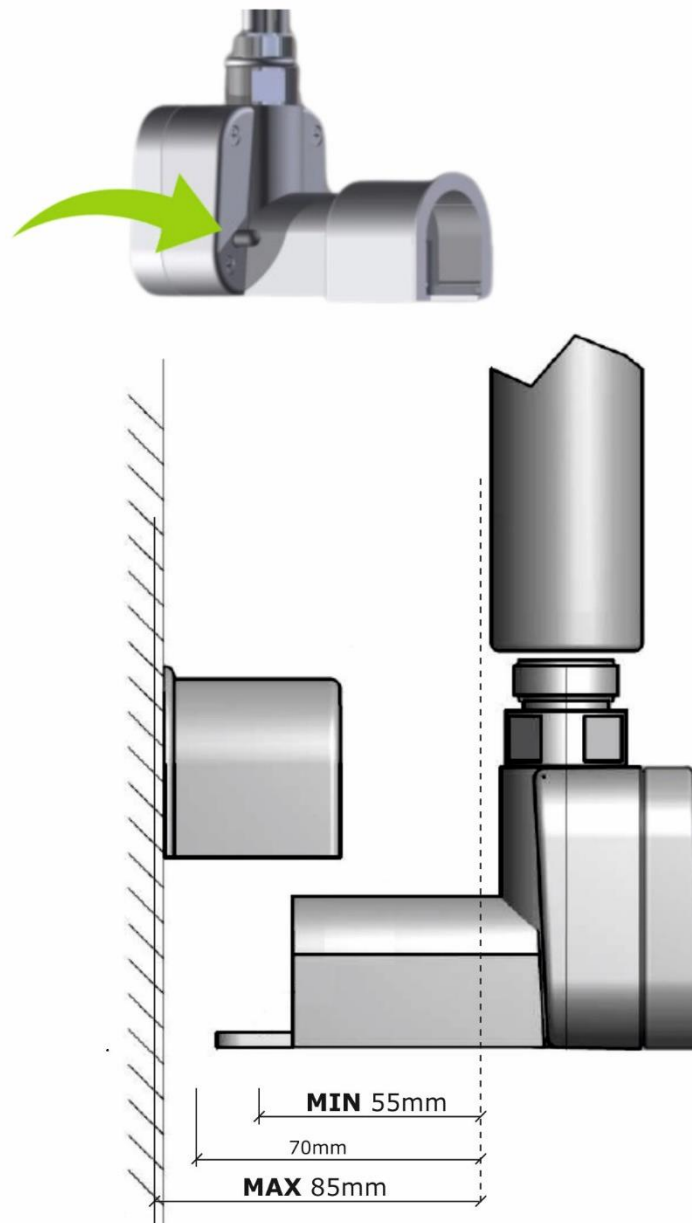
DIMENSIONS AND WEIGHTS OF THE IRC T					
Power [W]	Length "l" [mm]	Length "L" [mm]	Net weight of the device with spiral cable [kg]	Net weight of the device with a straight cable [kg]	Net weight of the device with masking cable [kg]
120	310	377	0,38	0,34	0,25
200	270	327	0,37	0,33	0,24
300	295	362	0,38	0,34	0,25
400	330	397	0,39	0,35	0,26
500	345	412	0,39	0,35	0,26
600	360	427	0,40	0,36	0,27
800	470	537	0,43	0,39	0,30
1000	560	627	0,45	0,41	0,32
1200	562	629	0,45	0,41	0,32
1500	579	646	0,46	0,42	0,33



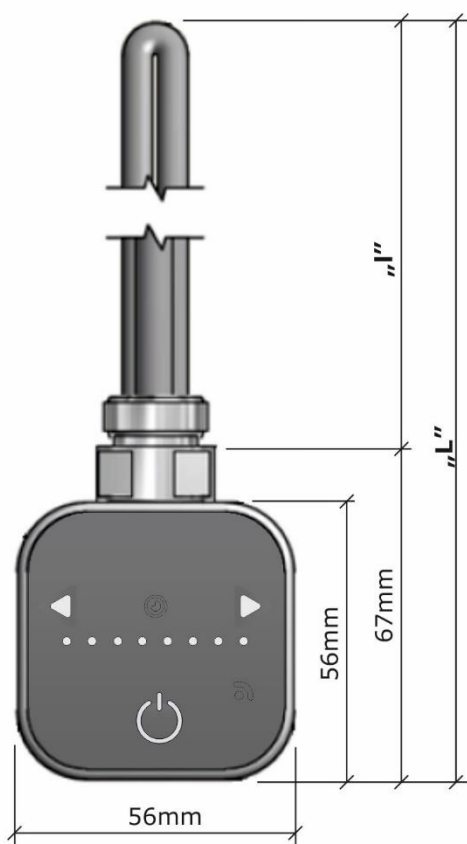
IRC T - with masking cable



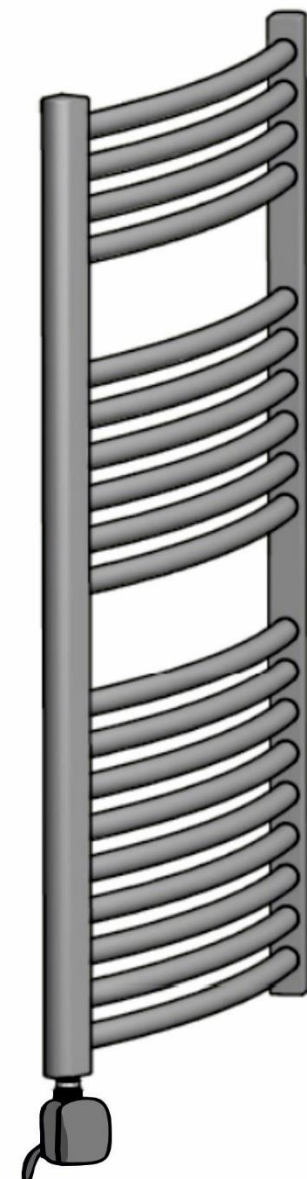
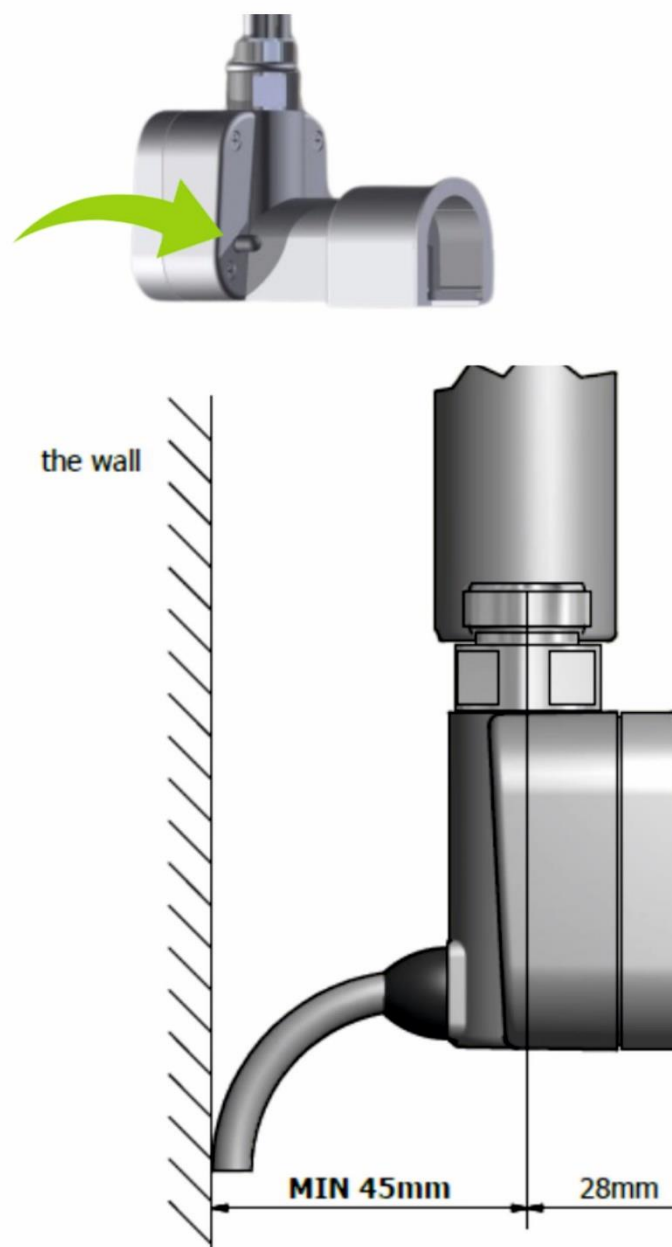
DIMENSIONS AND WEIGHTS OF THE IRC T			
Power [W]	Length "I" [mm]	Length "L" [mm]	Net weight of the device with masking cable [kg]
120	310	377	0,25
200	270	327	0,24
300	295	362	0,25
400	330	397	0,26
500	345	412	0,26
600	360	427	0,27
800	470	537	0,30
1000	560	627	0,32
1200	562	629	0,32
1500	579	646	0,33



IRC T - with straight/ spiral cable



DIMENSIONS AND WEIGHTS OF THE IRC T				
Power [W]	Length "I" [mm]	Length "L" [mm]	Net weight of the device with spiral cable [kg]	Net weight of the device with a straight cable [kg]
120	310	377	0,38	0,34
200	270	327	0,37	0,33
300	295	362	0,38	0,34
400	330	397	0,39	0,35
500	345	412	0,39	0,35
600	360	427	0,40	0,36
800	470	537	0,43	0,39
1000	560	627	0,45	0,41
1200	562	629	0,45	0,41
1500	579	646	0,46	0,42



FUNCTIONALITY OF THE IRC T

- if the electric heating element has stable Wi-Fi connection, it can be controlled from anywhere in the world, all you need is Internet access
- remote control via the application on a mobile device or locally by pushing the buttons
- weekly schedule – ability to set the radiator temperature, or the room temperature
- measuring the room temperature
- stopping the heating function for the time the window/door is open
- TURBO timer – the electric heating element maintains the set temperature for a period of up to 4 hours, after which the electric heating elements returns to the previously set temperature
- START-STOP timer – the electric heating element maintains the set temperature for a period of up to 4 hours, after which the electric heating elements turns off
- possibility to choose the heating priority (radiator / room)
- towel rail temperature regulation in the range of 30°–60°C (from the application with an accuracy of 1°C)
- room temperature regulation in the range of 17°C – 24°C (from the application with an accuracy of 0.1°C)
- if, due to the location of the device, the temperature sensor indicates a different temperature than the actual temperature, it is possible to correct the reading. The correction may be +4°C to -4°C. Available with the application.
- counter for amount and cost of energy used – based on entered data the application calculate the energy cost
- PARENTAL CONTROL function – blocking the push buttons on the appliance via the Smart Life/Tuya Smart application
- controller rotation in the range of 0° – 330°
- ANTIFREEZE function protection against freezing of the medium in the radiator
- application available in the App Store and Google Play for free
- two-level overheating protection
- low power consumption in standby mode (Ultra-Low-Power)
- dryer function
- intelligent work control – microprocessor control
- visualization in colorful LED technology

INDEX					
Product	Type of connection	Colours	Power	Package	Optional equipment
PIR2 – IRC T	PA – straight cable with the plug	WX - white	22 - 120W	B – carton without the print	T- tee
	PX – straight cable without the plug	BX - black	02 - 200W	O – carton with the print	STX – additional temperature sensor
	SC – spiral cable	BO - black mat	03 - 300W		OW – open window/door sensor
	HD – masking cable	SX - silver	04 - 400W		~ - free application to download on Google Play and App Store
		WM – white mat	05 - 500W		XXK - radiator cap
			06 - 600W		
			08 - 800W		
			10 - 1000W		
			0C - 1200W		
			0F - 1500W		

Example of index: PIR2SCBX03BT

PIR2 – ELECTRIC HEATING ELEMENT IRC T

SC – SPIRAL CABLE

BX – COLOR BLACK

03 – POWER 300 W

B – CARTON WITHOUT THE PRINT

T – TEE

Date: 12.12.2024

Prepared by: Natalia Woźniak

Producer:

HeatQ Technology Sp. z o.o.

80-017 Gdańsk, Trakt Św. Wojciecha 223/225

Tel.: +48 585 805 104/+48 691 209 888

www.heatq.com e-mail: biuro@heatq.com

Smart Life
- Smart Living



Tuya Smart



HEATO
— TECHNOLOGY